

MANUAL FOR INSTALLATION, USE AND MAINTENANCE

DECOR PLUS



Congratulations!

You have chosen an appliance of the JIDÉ range and we would like to thank you for it. We are convinced that it will bring you warmth and comfort. In order to derive the greatest benefit from your fireplace, we greatly stress the importance of following the instructions and recommendations given in this notice.

TABLE OF CONTENTS

INTRODUCTION	3
General.....	3
Technical characteristics and compliance	4
Spare parts and accessories	6
Additional parts – Identification plate.....	7
USER NOTICE	8
Starting a fire	8
Combustion	9
The wood – Choice and usage.....	11
INSTALLATION NOTICE.....	14
Preparation – Arrangements.....	14
Fitting of the finishing frame (option)	16
Installation of the connection for the convection air (option)	16
Fitting of the convection air and chimney connection	17
Fitting and adjustment of the baffle	17
Electrical connection	18
MAINTENANCE OF THE FIREPLACE	21
Cleaning – Chimney sweeping.....	21
Maintenance.....	21
Cleaning the window	21
Door	22
Cleaning the fan (option)	22
Chimney-sweeping.....	22
Life cycle	23
End of life instructions	23
TROUBLESHOOTING.....	24
Causes - Advice	24
DECLARATION OF CONFORMITY JIDÉ	26
DECLARATIONS OF PERFORMANCE	27
TECHNICAL DOCUMENT	29
WARRANTY	31
Warranty agreement.....	31

INTRODUCTION

General

To obtain optimum operation of your fireplace in complete safety, we recommend having it installed by a specialist who will do the work professionally.

The responsibility of JIDÉ relates to the supply of the appliance. The installation is the responsibility of the owner who must have it done according to the requirements of this notice, and in accordance with the applicable regulations and standards of the different countries governing the installation, insulation and connection of closed wood-burning fireplaces, in new and old constructions, as well as smoke flues. The appliance may not be modified as it could present a real danger and will invalidate the warranty.

A list of our dealers-installers is available on our site www.jide.be/en.

Before using your fireplace for the first time and in order to guarantee its good usage and operation over time, we suggest you carefully read these instructions for use in order to familiarise yourself with its various functions and characteristics.

Before starting your first fire, please ensure that no material required for the installation is in the fireplace.

The paint has not been cured and will consequently harden when used for the first time, causing the release of smoke and odours. We advise you to make a very strong fire and then ventilate the room well.

The Décor Plus range comprises the following models:

- Décor 77 DF Plus
- Décor 16/9 DF Plus



Technical characteristics and compliance

Combining ecology and economy, JIDÉ has created the Décor plus range which has an **external combustion air inlet** (sealed appliance).

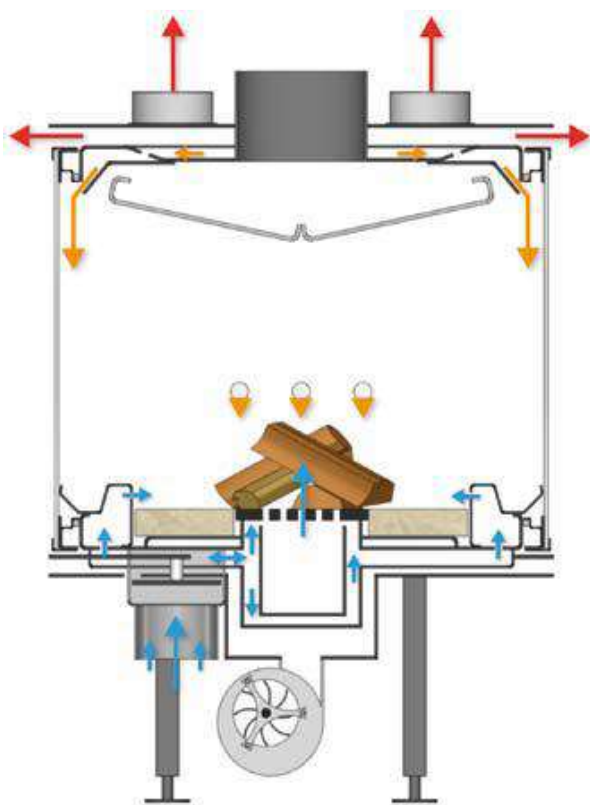
The primary air arrives under the grate to foster fire-lighting in the fireplace.

The preheated secondary air creates post-combustion by reburning the gases, and this greatly improves the efficiency.

The **preheated tertiary air** has a “turbo” effect, sweeping the glass from top to bottom to keep it clean and creates a sufficient supply to feed the fire without primary air.

Ecological solution: cleaner emissions, less dust and CO

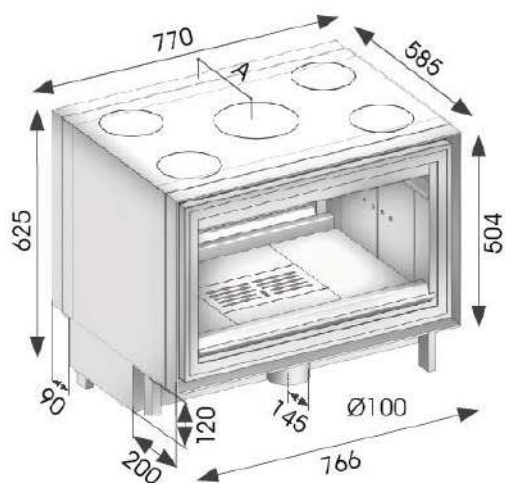
Economic: greatly reduced wood consumption.



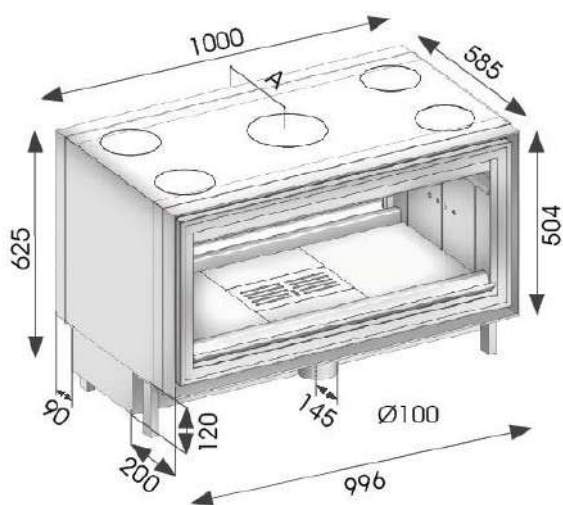
Décor Plus double sided

Dimensions of the Décor Plus fireplaces

Décor 77 DF

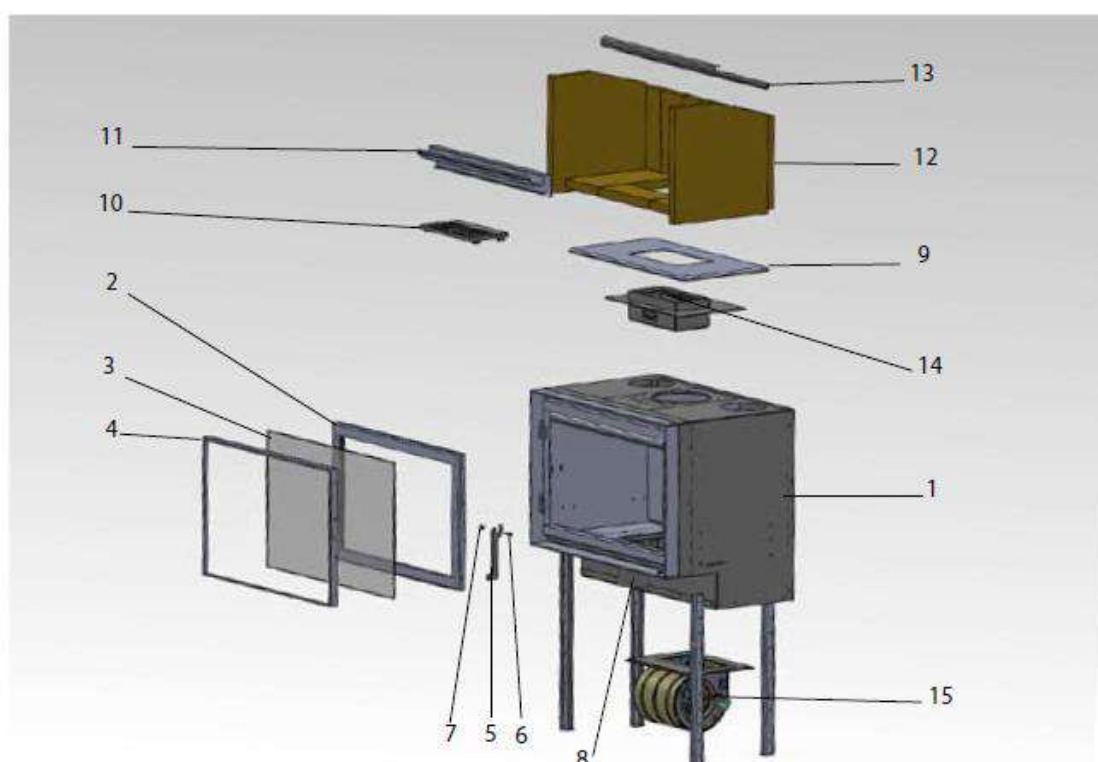


Décor 16/9 DF



Spare parts and accessories

1	Assembled painted fireplace	9	Double base
2	Door frame	10	Lower grate
3	Window	11	Ember stop
4	Window frame	12	Vermiculite kit
5	Closing handle	13	Steel baffle
6	Closing handle screw	14	Ash box with transport handle
7	Closing handle nut	15	Fan
8	Combustion air inlet		



In option:

- Ventilation
- Speed controller
- Airstat

JIDÉ
1983 - Qualité et Innovation

Additional parts – Identification plate

In addition to the fireplace, the packaging contains the following elements:

- A poker-cold handle
- A glove;
- A short stainless steel duct for the smoke link;
- 4 legs with the set of fasteners and adjustable legs;
- 1 baffle and its bag of fasteners for adjustment;
- **Attention: before using the fireplace, make sure to get the spray out and to keep it away with a minimum distance of 2 m.**
- On the packaging, instructions for use with identification plate.

All the JIDÉ fireplaces are registered as soon as they leave production, according to the information contained on a plaque that accompanies this notice, stating in particular the power, efficiency and CO2 emissions of the appliance.

This plaque must be kept and will enable your appliance to be identified in our files (traceability) if necessary. We advise you to paste it on this user and installation notice or on your invoice.

USER NOTICE

Starting a fire

Before lighting, **remove ashes** by means of the pull knob (to give off the grid by leaving 2 to 3 cm of ashes in the content of the stove).

The ashtray must be emptied regularly to allow the passage of the air for combustion.

Do not exceed the maximum loading authorized (see page 13).

IMPORTANT actions before starting your fire:

- 1 For the correct use of the appliance, the door (the 2 doors for a double sided) **must** be opened slightly, then open the external air inlet to the maximum for 10 to 15 minutes - the time necessary to reach a sufficient temperature in the fireplace.
- 2 When the window is hot, please close the door (the 2 doors for a double sided). You can now position the control lever to the centre to obtain reduced wood consumption with respect to the heat recovered. Your fireplace is now in its optimum configuration: post-combustion and maximum efficiency. You can regulate the air intake to the right according to the desired heat.
- 3 Do not reopen the primary air (lever to the left), otherwise risk of blackening the glass (dirty combustion).

ATTENTION

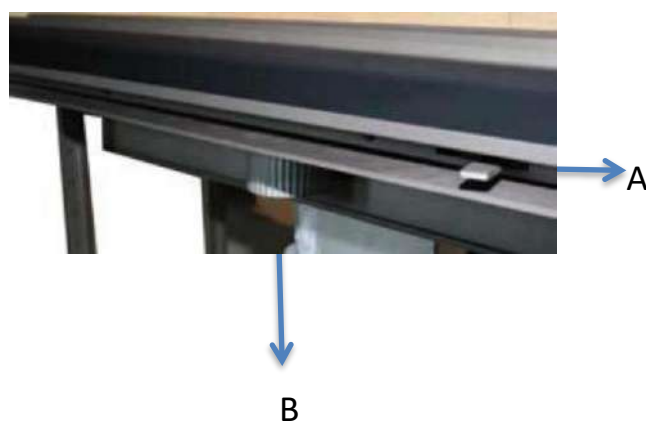
- The fireplace is designed to be used with the door closed, after starting the fire.
- We recommend using firelighter blocks that stimulate faster and cleaner combustion of the wood.
- **Do not use inflammable liquid products.**
- For a good performance do not remove completely the ashes of the stove.

Combustion air

This sealed appliance is equipped with a system with external air intake for the combustion air (A – diameter 100).

The combustion air intake is adjusted with the control lever (B) located on the right of the appliance:

- Positioned to the left, you fully open the combustion air intake, i.e. the primary air intake under the grate and the secondary air through the holes in the back of the fireplace.
- Positioned in the centre, you close the primary air intake. The fireplace simply operates on secondary combustion air.
- Positioned to the right, you almost fully close the combustion air intake.



Convection air

Originally, your appliance operates with natural convection. As an option, your appliance can be equipped with **ventilation** controlled by a **speed controller**. Depending on the chosen position, the speed controller determines the forced hot air flow outside your fireplace (maximum power heating is reached with ventilation on the highest level).

The airstat starts the fan once the temperature reaches 55° in the convection chamber.

The ventilation must always operate when the insert is hot, otherwise there is a risk of rapid damage to the fan.

The hot air outlets that your fireplace has enable the distribution of hot convection air into the room where your fireplace is located or into another room. In this last case, it is essential to seek the advice of your approved installer.

The chimney

The smoke produced by the wood combustion is removed through the chimney flue. The draft of the chimney reduces the pressure in the fireplace, which removes a part of the smoke and supplies the combustion.

- A good draft will result in a high temperature difference between the inside of the chimney and the outside of the house.
- Too great a draft will not enable a high enough temperature to be reached for good combustion.
- Too small a draft will lead to a risk of reverse flow, fouling of the window and sooting of the chimney.

An approved chimney sweep should be consulted for any questions regarding the good use and maintenance of the chimney.

General recommendations

- It is not recommended to greatly reduce the operation of the fireplace to such a point that there are no flames, a sign of poor combustion (speed of the fan too low). The unburned gases are converted into soot.
- In the same way, if overloaded your fireplace will not provide any additional comfort and will lead to a reduction of efficiency, a pointless increase in the consumption of wood, a loss of heat and abnormal wear of your fireplace.
- Certain weather conditions (strong wind, fog) may affect the combustion and draft of the chimney and the air intake will have to be adjusted.
- When removing the ash, pay attention to the persistent presence of embers.
- In the event of a chimney fire, the door and external air inlet must be closed (lever to the right).
- To ensure an optimal use of the stove, the ashtray must be empty every day of using of this one.
- NEVER use flammable liquid products to light the fire or reactivate the fire!

The wood – Choice and usage

The JIDÉ fireplaces are designed to burn hard wood logs only.

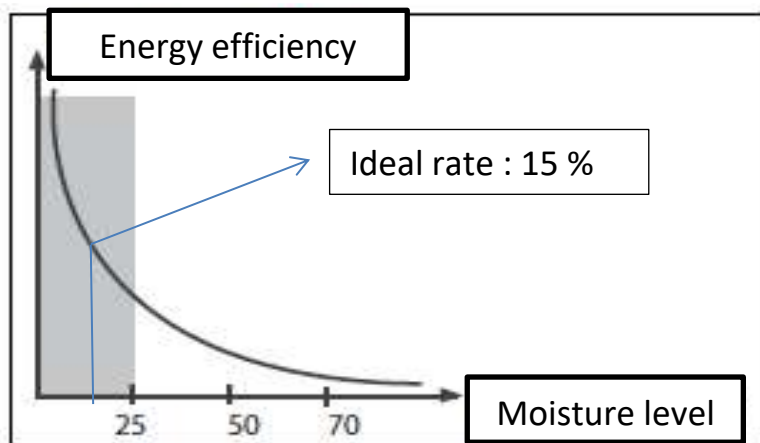
The quality of wood is important.

“Green” wood contains a lot of water (approx. 50 %)

“Dry” wood, kept outside for 18 to 24 months and well ventilated, still contains 15 % water.

Damp wood is more difficult to consume, presents a lower calorific power and pollutes the environment.

Damp smoke has disadvantages, for example a reduced draft and the formation of tar in the flue and on cold surfaces (the window for example).



Split wood presents better combustion and will improve the operation of your fireplace.

The calorific value of wood depends on its type, and the volume of wood required for the same quantity of heat differs according to this choice. Thus, the “hard” wood varieties such as beech, oak, whose density is high, will require a lower quantity than other low density species:

Density	
Hornbeam	400 – 500 kg per m ³
Oak.....	380 – 480 kg per m ³
Beech	350 – 450 kg per m ³
Birch.....	300 – 400 kg per m ³
Poplar	250 – 350 kg per m ³

Loading of the fireplace with wood:

Décor 77 DF Plus.....4,6kg (maximum) of dry wood per hour
Décor 16/9 DF Plus 4,6 kg (maximum) of dry wood per hour

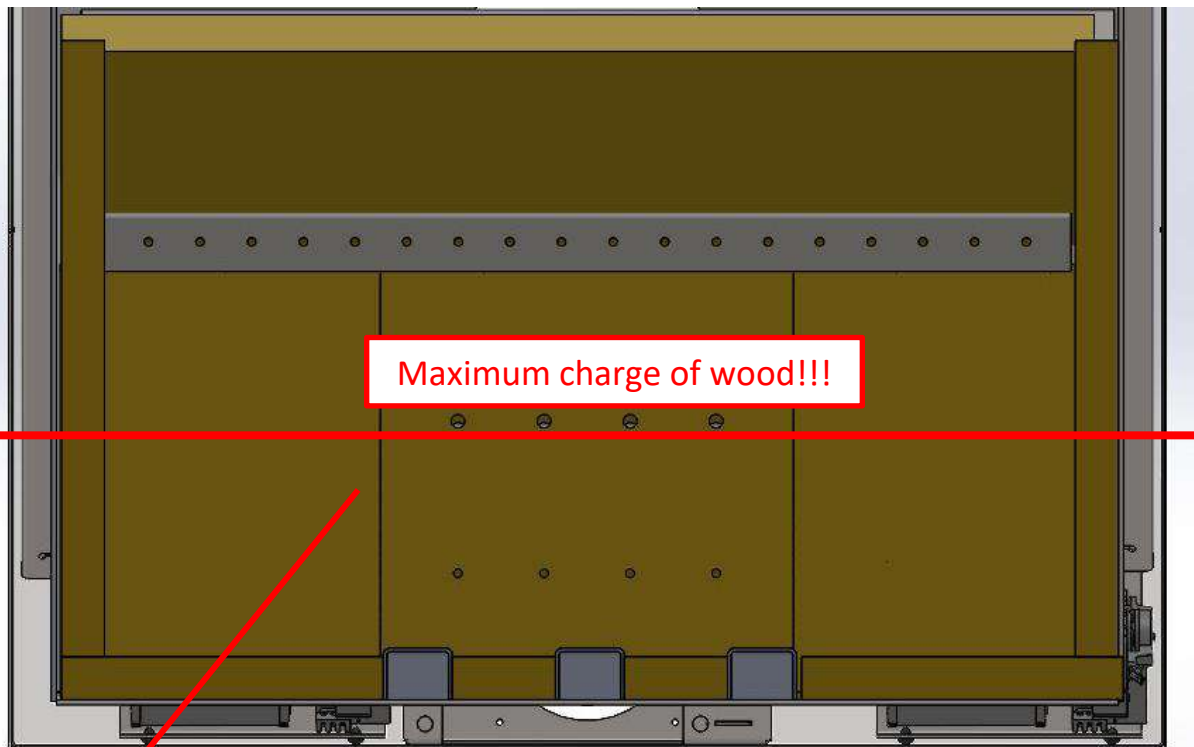
CAUTION

The overloading of wood of your stove may have some consequences and the damage hereafter will obviously not be covered by the warranty;

- Deformation of the baffle;
- Deterioration of the grid;
- Bleaching of the glass;
- Degradation of the vermiculite;
- Accentuated noise of the ventilator;
- Excessive dilation of the door being able to involve a deformation of this one.

Moreover, we recommend to you:

- Do not burn resinous or treated wood (e.g. painted wood) or any other material containing toxic products harmful to the environment, or which are aggressive for the components of the fireplace.
- Your fireplace is not designed to be used as an incinerator, only burn heating wood.
- Do not overcome the calorific value of wood. Pay attention to the calorific value of compressed logs. Half a compressed log at a time.



To avoid overheating, the log can't be higher than the red line, the hole must be always visible.

By covering the hole, there will be consequences such as lose of combustion control, the draught will increase which lead to a decreasing of efficiency, increasing of the energy cost and decreasing of the stove's lifespan.

INSTALLATION NOTICE

Preparation – Arrangements

It is important to check the fireplace upon receipt and to ensure the absence of any damage during transport.

Dimensions of the recess

The recess, i.e. the volume around the fireplace, has to contain the appliance while providing an additional space of at least 5 mm (left, right, and above the fireplace) in order to accommodate expansion. There must be no masonry against the fireplace.

Ventilation around the fireplace

It is necessary to ventilate the recess with an air inlet in the base and air outlet at the top in order to reduce the temperature of the walls and to recover it in your home.

Insulation of the fireplace

The materials used must be non-inflammable. The temperature of smoke to the chimney being able to reach 300° to 400°, this one could cause a combustion of not isolated combustible materials.

Provide high-temperature insulation around the fireplace to protect certain materials. In this case we advise protecting the back, sides and top of the appliance. If no insulation has been provided, it is recommended keeping a distance of 15 cm from inflammable materials and 15 cm from non-inflammable materials.

Your installer can advise you regarding the protection to be provided. Still with regard to protection, your installer can also provide a floor plate in front of the insert in order to guard against the ejection of embers.

Fireplace base

We recommend placing the appliance on a **solid flat surface** with sufficient strength to support the weight of the fireplace and the chimney flue. We also advise you to make the appliance firmer with a wall in order to increase the stability of the fireplace.

The fireplace can be installed at different heights with the help of legs. In the event of an installation without ventilation, the fireplace must not be placed on the floor. The convection air intake under the fireplace must not be obstructed.

Installation of a stove without ventilation

Obligation to connect all the outputs of hot air with flexible devices of 1.50 m minimum length, while respecting the imposed diameter of 150mm and to envisage a grid of 20 x 30 cm for the air flow of convection via the space planned for the ventilator.

Ventilation (option)

If ventilation is provided, it is imperative that the air intake connection is sealed, outside the casing where the fan is located. A grate of 20cm x 30cm must be provided for the convection air intake for the fan.

Radiation from the fireplace

The fireplace emits heat by radiation through the window and by air convection. It is thus essential to provide non-inflammable materials in the distribution zone.

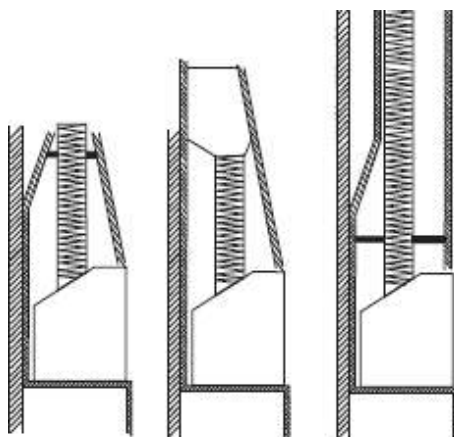
Sealed connection

To ensure a sealed connection, appropriate to the desired installation and the good operation of your fireplace, please consult your installer who will give you with the necessary information.

The section of the flue must be similar if possible to the one of the stove. If the section of the flue is much more important than the one of the stove, it is advised to tube the chimney on all its height and to insure the sealing of connection. It is necessary to be vigilant on the state of the existing flue and more still on connection of the flexible device to the existing flue. A bad connection can be the cause of disasters. Do use only pipes stainless appropriate to this use.

It is mandatory to put from the device at least 1 m hard or flexible pipe, in steel or in stainless steel, to connect the smoke exit.

The chimney must have a normal pulling i.e. that with its power maximum, the depression will have to range between 12 and 20 Pa.



Fitting of the finishing frame (option)

The fireplace must protrude by 10 mm with respect to the plane of the masonry to enable the correct attachment of the frame.

A four-sided frame is available as an option.

The finishing frame clips onto the appliance with spring supports.



1 Place the frame on the appliance, with the back of the frame inside the fireplace

2 The clips are located outside the body



Installation of the connection for the convection air (option)

Your appliance has 2 hot air openings for the convection

1 Remove the disk

2 Fix the duct with three self-boring screws



Fitting of the convection air and chimney connection

Installation of the chimney connection (ensure the good seal of the connection)

Your appliance is supplied with a short stainless-steel duct for the chimney connection. It fits onto the appliance.



When the duct is placed on the appliance, fold back the 2 safety clamps



Fitting and adjustment of the baffle

A steel baffle is provided posed flat in the stove. It should be set up on its supports with the part planes towards the lower part and the largest wing towards the glass.

If the draft is too great, you can change the position of the baffle in order to reduce the suction effect of the chimney. In order to do this, you have a set of screws-nuts to change the position of the baffle by changing its installation angle. The greater the draft, the greater the need to adjust the baffle to reduce the passage of burned gases.

Note: Ensure that you do not create a reverse flow by excessively reducing the passage of smoke.



Normal position (3 baffles)

Electrical connection

Ventilation connection (optional)

Caution: make sure to switch off the power supply before working on the electrical circuit

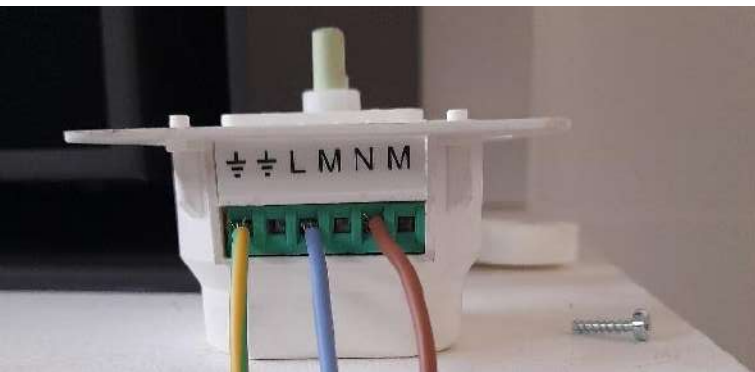
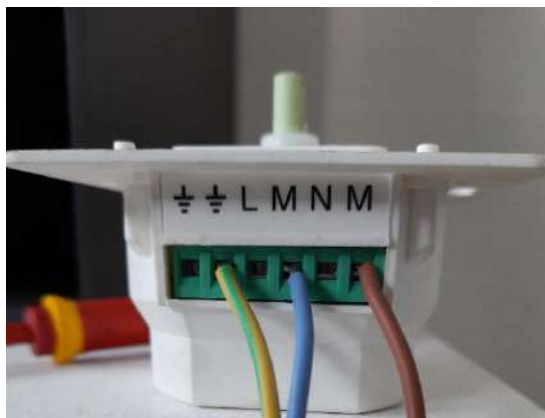


⏚ : Grounding
⏚ : Grounding
L : Line
M : Motor
N : Neutral
M : Motor

Connecting the drive to the fan:

Connect the fan wires to the "Motor" terminals.

Connect the grounding wire (yellow and green) to the grounding terminal.



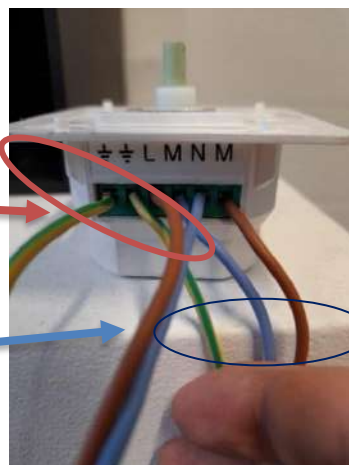
Connecting the drive to the mains :

Connect the wires from the socket to the "Line" and "Neutral" terminals.

If present, connect the grounding wire (yellow and green) to the grounding terminal.

Ventilator

Circuit



JIDÉ
1983 - Qualité - Belgique

Ventilation access (option)

The fan can be accessed through the inside of the appliance

- 1 Withdraw the grate and the ash box



- 2 Remove the vermiculite plates from the back and base of the appliance, then withdraw the double base



- 3 Unscrew the ash box support and withdraw it from the fireplace



- 4 Electrically connect the fan cable and then put the fan in place. The fan is positioned in the base of the appliance with the help of silent blocks.



You are now able to clean the fan. For the cleaning, **proceed with care** and attention. Gently dust the turbine blades with a brush. Fit it all back again.

Note

- ❖ If you bend a turbine blade, you risk creating an imbalance that will lead to an abnormal noise in the fan.
- ❖ It is imperative that the air intake connection is sealed, outside the casing in which the fan is located. A 20 cm x 30 cm grate must be provided for the convection air inlet to the fan.

CAUTION: We could not be held responsible for an improper installation. These must be very neat and made according to standards. Complementary products used for the installation must be conform to local regulations.

MAINTENANCE OF THE FIREPLACE

Cleaning – Chimney sweeping

Maintenance

Before working on the fireplace, ensure that it is cold.

Clean (with a ash vacuum cleaner) the particles and residues which remain in the housing of the ashtray.

Clear de grid by mean of the pull and empty the ashtray during the period of operation of the stove.

The joint of the door of the ashtray must always be in good state and if needed, replace it.

Ensure that there is no objects (scrap) between the grids of removing of the cinders, which could bloc them.

The metal parts can be wiped with a dry cloth.

The inside panels for protection (cast iron or vermiculite) can be split without preventing a normal functioning of the stove. Look after that is does not miss a piece. In this case replace the damaged parts.

Your dealer can give you an aerosol for touching up the paintwork if required.

Use original spare parts for any repairs.

Cleaning the window

We recommend one of the following two methods for cleaning the window of your fireplace:

1. If dry, use absorbent paper and / or 000 steel wool:

With good burning (dry wood and good fire management), the absorbent paper makes it possible to remove most dirt from the glass. Remove the remaining dirt by using steel wool "000". (Thicker steel wool can damage the glass (scratches)). Avoid rubbing the edge of the screen print (black part printed on the glass) with steel wool, this can permanently damage the screen print. You can use this method on cold glass or on warm glass (with a glove).

2. With a damp cloth and wood ash:

The window can be easily cleaned with a cloth or slightly damp absorbent paper that has been previously soaked in the cold (white) ash of your fireplace. Rub the dirty parts and wipe them with a clean damp cloth.

We **prohibit** the use of a liquid cleaning product. The dripping of this product on the lower black screen of the glass can leave traces, which unfortunately will be final, they can also damage the paint of the device. If you have to use a liquid detergent due to too much contamination, two precautions are essential:

- Use a product without corrosive soda.
- Spray the product on a cloth and not on the glass to prevent spillage.

!!! If you do not follow these precautions, the glass may break!!!

Indeed, a liquid product can carry the dust with it to the compensation seal that is located between the glass and the structure of the door. This dust penetrates the seal and loses its elasticity and forms a hardened crust, which causes stress on the glass and leads to cracks.

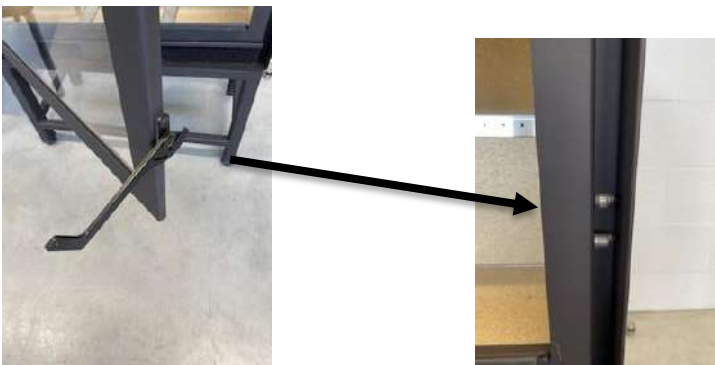


Door

Check the joint of the door. Use the annual maintenance to check the seal of your fireplace by wedging a strip of paper on the joint before closing the door. If the strip does not stay wedged, the joint must be replaced or the eccentric for door must be adjusted. This setting will bring the door closer to the heating body. Unscrew the nut with a spanner (8), rotate the eccentric to the back of the appliance and screw back the nut.



Pay attention, if you replace the seal after having done this setting do not forget to adjust the eccentric to the front of the device. Your dealer will be able to do this.



Eccentric for door

Twice a year, clean the hinge of the door, coat with a releasing oil in order to prevent moisture penetrating and from blocking the axis of this one.

Cleaning the fan (option)

It is necessary to supervise the state of cleanliness of the ventilators.

The accumulation of dust causes an unbalance of the turbine, which makes force the engine which can burn or make noise.

Before any work, please disconnect the electricity supply.

The fan can be dusted if it is fouled. Do not apply pressure to the fan blades, at the risk of bending them and thus creating an imbalance that will lead to noise and vibrations

These operations can be repeated during the year depending on the fouling.

Grease the axis.

Chimney-sweeping

With a concern for safety and observance of the applicable legislation, you must have the chimney swept **at least once per year**, in order to limit the tar deposits in the chimney.



It is an opportunity to check the condition of the flue and connection of the chimney. It is recommended first carefully removing the baffle then repositioning it in its initial position.

Vacuum three or four times per year the residues above the baffle.

Life cycle

In order to increase the life span of your fireplace insert, it is important to follow the operating and maintenance instructions.

However, your appliance is made up of various components that can wear out and/or deteriorate over time. Your appliance is designed to be easy to replace. Your installer is able to identify and replace any parts that are no longer functional.

End of life instructions

After dismantling the appliance, it should be taken to an authorised collection point.

The appliance is made of steel and can be fully processed in the steel recycling system.

The door glass is made of boro-silicate glass and must be treated separately from food glass.

The control units will be recycled at an electronics processing centre.

TROUBLESHOOTING

Causes - Advice

Observation	Possible causes	Remedies
<i>Lighting-up difficulties</i>	<ul style="list-style-type: none"> - Damp fuel - Logs too large - Cold flue - Insufficient draft 	<ul style="list-style-type: none"> - Use small dry wood to form a bed of embers - Use smaller logs - Preheat the flue gas duct with a lighter cube, for example. - Check the operating conditions of the flue and the air intake level in the home - Draft test with a depressionmeter
<i>Return of smoke</i>	<ul style="list-style-type: none"> - Insufficient draft - Effect of wind - Poorly insulated flue - Flue too short - Flue not sealed - Flue cross-section too small - Flue partly obstructed by a foreign body of tar - Presence of a too powerful V.M.C or cooker extraction hood - During the opening of the door 	<ul style="list-style-type: none"> - Consult the installer - Draft test with a depression meter - Inspect the flue and sweep if necessary - Review the air intake level of the home (check the opening of a door or window) - Place the house und a slight overpressure - Open the air inlet before opening the door - Always open the door slowly in order to avoid smoke being sucked outside the fireplace
<i>Little heating, the fire does not take well during normal operation</i>	<ul style="list-style-type: none"> - Insufficient draft - Wood too damp - Too large wood in diameter 	<ul style="list-style-type: none"> - See above - Use wood which shows a water content ranging of 15 % - Make sure of a sufficiently sharp combustion before charging the stove with wood with a large diameter - Increase the level of primary air combustion
<i>Chimney fire</i>	<ul style="list-style-type: none"> - Insufficient draft - Wood too damp - Negligence with the sweeping 	<ul style="list-style-type: none"> - See above - Respect the normal frequency of the sweeping

Observation	Possible causes	Remedies
<i>Poor heating with a strong fire</i>	<ul style="list-style-type: none"> - Appliance not sealed - Excessive draft 	<ul style="list-style-type: none"> - Check the integrity of the appliance (joints) and connection - Reduce the draft conditions of the flue and in particular add a draft regulator to obtain between 12 and 20 Pa
<i>Too much heating, combustion too fast</i>	<ul style="list-style-type: none"> - Appliance overloaded with fuel - Small diameter fuel - Too important opening of the air for combustion 	<ul style="list-style-type: none"> - Load the appliance reasonably, wood page 13 - Increase the diameter of the logs - Clear the ash from the appliance less often - Decrease the air flow of combustion
<i>Backflow of smoke through the door</i>	<ul style="list-style-type: none"> - Insufficient draft conditions at nominal operation of the appliance 	<ul style="list-style-type: none"> - Slightly open the air inlet in order to respect the minimum value of the operating air flow - Take care with the use of a cooker hood or VMC - Check the position of the baffle - Check the position and seal of the door joints
<i>The window fouls very quickly</i>	<ul style="list-style-type: none"> - Damp wood - Slightly insufficient draft - Operating with the primary air not sealed - Burn rate reduced for too long 	<ul style="list-style-type: none"> - Use wood with a moisture level of 15 % - Increase the level of the air inlet in the appliance - Increase the cross-section for the passage of smoke by slightly opening the air inlet - Check the position of the baffle - Close the primary air (lever in central position) - Avoid reduced burn rates
<i>The window cracks</i>	<ul style="list-style-type: none"> - Shock or blow, never "slam" the door of the insert - The seal (between glass and door) hardens by the use of liquid products when cleaning the window 	<ul style="list-style-type: none"> - Replace the window
<i>Formation of bistre (tar) in the flue and appliance</i>	<ul style="list-style-type: none"> - Damp wood - Flue too long - Flue poorly insulated - Lack of air intake in the home 	<ul style="list-style-type: none"> - Use wood with a moisture level of 15 % - If possible reduce the path for the smoke, line the flue - Add heat insulation to the flue (ceramic wool ...) - Check the air inlet level in the home (opening of a door or window) - Check the use of a cooker hood or VMC
<i>The paint flakes</i>	<ul style="list-style-type: none"> - Overheating 	<ul style="list-style-type: none"> - Sanding and repainting - Respect the maximum loading of wood per hour

DECLARATION OF CONFORMITY JIDÉ

EU DECLARATION OF CONFORMITY	
The Company	JIDE S.A. Rue des Meuneries 11 4650 Herve Belgique
	
declares with full responsibility that the fireplace, Décor-plus 77 DF, Décor-plus 16-9 DF,	
which is the subject of this declaration are in conformity with the following directives and harmonized standards:	
Regulation (UE) 2016/426 (EU) 2015/1185, (EU) 2015/1186 Guidelines : 2009/125/EC, 2014/35/EU European standards: EN 13229:2001	
The company mentioned above keeps the documents proving compliance with the directives available.	
JIDE S.A.	
Herve le	11/09/2023
Jean-Philippe Couasnard	
Delegated Administrator	

DECLARATIONS OF PERFORMANCE

Declaration of performance
According to European Regulation 2011/305

DOP N° : DE+77DF

Product

Décor-plus 77 DF (DE+77DF)

Serial number : see identification plate supplied with device

Intended use heating with solid fuel

Fuel : wood logs with moisture content < 25%

Manufacturer

JIDÉ S.A.

Rue des Meuneries, 11

B-4650 HERVE

Belgique

info@jide.be

www.jide.be

Tél. : 087 31 75 12

Système of AVCP

ARGB - NB2013 has delivered the report 2016-0077 According to the European Regulation 2015-1185, base on the standard, EN 13229:2001

Declared performance

Declared performance		Declared Emission	
Puissance nominale	15 kW	Particules	37 mg/Nm ³
Rendement	77,0 %	COG	120 mg/Nm ³
Rendement saisonnier	67,0 %	CO	1238 mg/Nm ³
IEE	102	Nox	34 mg/Nm ³

Auxiliary electricity consumption

At nominal heat output	0,000 kW
at minimum heat output	0,000 kW
in standby mode	0,000 kW

Fire safety

Rear : 10 mm	Protected by heat insulator : Yes
Side : 10 mm	Protected by heat insulator : Yes
Top : 150 mm	Protected by heat insulator : No

The performance of the product identified above is in conformity with the set of declared performances. This declaration of performance is issued, in accordance with Regulation (EU) n° 305/2011, under the sole responsibility of the manufacturer identified.

In Herve, Monday 11 September 2023

Jean-philippe Couasnard

Delegated Administrator



Declaration of performance
According to European Regulation 2011/305

DOP N° : DE16-9DF

Product

Décor-plus 16-9 DF (DE16-9DF)

Serial number : see identification plate supplied with device

Intended use heating with solid fuel

Fuel : wood logs with moisture content < 25%

Manufacturer

JIDÉ S.A.

info@jide.be

Rue des Meuneries, 11

www.jide.be

B-4650 HERVE

Tél. : 087 31 75 12

Belgique

Système of AVCP

ARGB - NB2013 has delivered the report 2016-0077 According to the European Regulation 2015-1185, base on the standard, EN 13229:2001

Declared performance

Declared performance		Declared Emission	
Puissance nominale	15 kW	Particules	37 mg/Nm ³
Rendement	77,0 %	COG	120 mg/Nm ³
Rendement saisonnier	67,0 %	CO	1238 mg/Nm ³
IEE	102	Nox	34 mg/Nm ³

Auxiliary electricity consumption

At nominal heat output	0,000 kW
at minimum heat output	0,000 kW
in standby mode	0,000 kW

Fire safety

Rear : 10 mm	Protected by heat insulator : Yes
Side : 10 mm	Protected by heat insulator : Yes
Top : 150 mm	Protected by heat insulator : No

The performance of the product identified above is in conformity with the set of declared performances. This declaration of performance is issued, in accordance with Regulation (EU) n° 305/2011, under the sole responsibility of the manufacturer identified.


In Herve, Monday 11 September 2023

Jean-philippe Couasnard

Delegated Administrator



TECHNICAL DOCUMENT

Technical parameters for solid fuel local space heaters (RUE 1185/2015) (RUE 1186/2015)											
Model identifier(s) :		Décor-plus 77 DF (DE+77DF)									
Indirect heating functionality		No									
Direct heat output		15,3 kW									
Indirect heat output		0 kW									
Flue temperature		277,0 °C									
Mass Flow		13,48 g/s									
Energy efficiency index (EEI) :		102									
Fuel	Preferred fuel :	Other suitable fuel	LHV (x%)	Space heating emissions at nominal heat output (*)				Space heating emissions at minimum heat output (*)			
				PM	OGC	CO	Nox	PM	OGC	CO	Nox
				(x) mg/Nm ³ (13% O ₂)				(x) mg/Nm ³ (13% O ₂)			
Wood logs with moisture content ≤ 25 %	Yes		67,0	37	120	1238	34				
Compressed wood with moisture content < 12 %		No									
Other woody biomass		No									
Non-woody biomass		No									
Anthracite and dry steam coal		No									
Hard coke		No									
Low temperature coke		No									
Bituminous coal		No									
Lignite briquettes		No									
Peat briquettes		No									
Blended fossil fuel briquettes		No									
Other fossil fuel		No									
Blended biomass and fossil fuel briquettes		No									
Other blend of biomass and solid fuel		No									
Characteristics when operating with the preferred fuel only											
Item	Symbol	Value	Unit	Item	Symbol	Value	Unit	Item	Symbol	Value	Unit
Heat output				Useful efficiency (NCV as received)							
Nominal heat output	P _{nom}	15,3	kW	Useful efficiency at nominal heat output	η _{th, nom}	77,0	%				
Minimum heat output (indicative)	P _{min}	n.d.	kW	Useful efficiency at minimum heat output (indicative)	η _{th, min}	n.d.	%				
Auxiliary electricity consumption				Type of heat output/room temperature control							
At nominal heat output	e _{l, nom}	0,000	kW	single stage heat output, no room temperature control							No
At minimum heat output	e _{l, min}	0,000	kW	two or more manual stages, no room temperature control							Yes
In standby mode	e _{l, sb}	0,000	kW	with mechanic thermostat room temperature control							No
Permanent pilot flame power requirement				with electronic room temperature control							No
Pilot flame power requirement	P _{pilot}	n.d.	kW	with electronic room temperature control plus day timer							No
Contact Information				Other control options							
JIDÉ S.A. Rue des Meuneries, 11 4650 HERVE Belgique Jean-Philippe Couasnard Delegated Administrator	087 31 75 12 info@jide.be www.jide.be			room temperature control, with presence detection							No
				room temperature control, with open window detection							No
				with distance control option							No

(*) PM = particulate matter, OGCs = organic gaseous compounds, CO = carbon monoxide, NOx = nitrogen oxides

Technical parameters for solid fuel local space heaters (RUE 1185/2015) (RUE 1186/2015)											
Model identifier(s) :		Decor-plus 16-9 DF (DE16-9DF)									
Indirect heating functionality		No									
Direct heat output		15,3 kW									
Indirect heat output		0 kW									
Flue temperature		277,0 °C									
Mass Flow		13,48 g/s									
Energy efficiency index (EEI) :		102									
Fuel	Preferred fuel :	Other suitable fuel	LHV (x%)	Space heating emissions at nominal heat output (*)				Space heating emissions at minimum heat output (*)			
				PM (x) mg/Nm ³ (13% O ₂)	OGC	CO	Nox	PM (x) mg/Nm ³ (13% O ₂)	OGC	CO	Nox
Wood logs with moisture content ≤ 25 %	Yes		67,0	37	120	1238	34				
Compressed wood with moisture content < 12 %		No									
Other woody biomass		No									
Non-woody biomass		No									
Anthracite and dry steam coal		No									
Hard coke		No									
Low temperature coke		No									
Bituminous coal		No									
Lignite briquettes		No									
Peat briquettes		No									
Blended fossil fuel briquettes		No									
Other fossil fuel		No									
Blended biomass and fossil fuel briquettes		No									
Other blend of biomass and solid fuel		No									
Characteristics when operating with the preferred fuel only											
Item	Symbol	Value	Unit	Item	Symbol	Value	Unit				
Heat output				Useful efficiency (NCV as received)							
Nominal heat output	P _{nom}	15,3	kW	Useful efficiency at nominal heat output	η _{h,ncv,nom}	77,0	%				
Minimum heat output (indicative)	P _{min}	n.d.	kW	Useful efficiency at minimum heat output (indicative)	η _{h,ncv,min}	n.d.	%				
Auxiliary electricity consumption				Type of heat output/room temperature control							
At nominal heat output	e _{h,ncv,nom}	0,000	kW	single stage heat output, no room temperature control			No				
At minimum heat output	e _{h,ncv,min}	0,000	kW	two or more manual stages, no room temperature control			Yes				
In standby mode	e _{h,ncv,standby}	0,000	kW	with mechanic thermostat room temperature control			No				
Permanent pilot flame power requirement				with electronic room temperature control			No				
Pilot flame power requirement	P _{pilot}	n.d.	kW	with electronic room temperature control plus day timer			No				
Contact Information				Other control options							
JIDE S.A. Rue des Meuneries, 11 4650 HERVE Belgique Jean-Philippe Couasnard Delegated Administrator		087 31 75 12 info@jide.be www.jide.be		room temperature control, with presence detection			No				
				room temperature control, with open window detection			No				
				with distance control option			No				

(*) PM = particulate matter, OGCs = organic gaseous compounds, CO = carbon monoxide, NOx = nitrogen oxides

WARRANTY

Warranty agreement

The warranty given hereinafter is only valid if the appliance is installed professionally and used according to the recommendations stipulated in this user and installation notice.

The duration of the warranty is five years, starting from the date of delivery by the installer or dealer, for the following parts: the combustion chamber body of the appliance and the external trim.

EXTENDED WARRANTY

Thank you for your confidence in our products and your interest in the extended warranty:

2-year warranty extension

The 2-year guarantee extension, in addition to the basic guarantee, applies only to the body of the fireplace (called the heating element).

Terms and conditions of the extended warranty :

1. Buy your fireplace from one of our approved dealers (list available on our website www.jide.be)
2. Complete the online form at www.jide.be , extension warranty in the footer or Service-Warranty below within 30 days of the date of the balance invoice .
3. You will receive an initial confirmation e-mail indicating that your warranty extension request has been processed(info@jide.be).
4. You will then receive a second e-mail confirming the validity of your warranty extension(info@jide.be).
5. If you have any problems with your fireplace, contact your retailer. You will need to show them the extended warranty confirmation e-mail for the commercial warranty to become effective.



The warranty is limited to two years for the following parts: the fans and the speed controller.

The defective material will be exchanged after its return.

The following are excluded from the warranty:

- Internal wear parts in contact with the flames and embers;
- The vermiculite panels;
- The joints of the door and ash box;
- The window, liable to undergo shocks or rough handling;
- Normal wear and tear and lack of maintenance;
- Damage resulting from an installation defect and abnormal draft of the chimney (maximum 20 Pa);
- Damage due to non-compliant repairs or modification of the original condition of the fireplace or its accessories;
- Losses or malfunctions due to a lack of monitoring, improper use of the appliance (overheating) or poor usage, in particular:
 - Mismatch between the nominal power of the fireplace and the necessary calorific supply;
 - Poor choice of fuels;
 - Overload of the fireplace with wood with respect to the permitted limits;
 - Intentional and permanent interruption of the ventilation;
 - Usage with the door of the ash box open.

By agreement, the costs of travel, transport, labour, packaging and the consequences of the immobilisation of the appliance resulting from warranty operations are to the charge the customer.

The warranty is only provided through the dealer-agent on presentation of the purchase invoice.

JIDÉ S.A. reserves the right to modify its products and brochures at any time at its sole discretion.



JIDÉ model:

DECOR PLUS Seller's stamp



JIDÉ CARTE DE GARANTIE / WAARBORG KAART / WARRANTY CARD	
A envoyer par mail à info@bgfires.com . Vous pouvez trouver la carte de garantie sur notre site internet, rubrique Garantie	
Per mail sturen naar info@bgfires.com . U vindt de waarborg kaart op onze website, onder Garantie	
Send by mail to info@bgfires.com . You can find the warranty card on our website, warranty section	
Revendeur / Verkoper / Reseller	
Nom Prénom/Nam Voornaam/Name First name:	
Adr.	Pays / Land / Country
CP/PC	Ville / Plaats / City
Tel	Mail
Acheteur / Consument / Buyer	
Nom Prénom / Naam Voornaam / Name First name:	
Adr.	Pays / Land / Country
CP/PC	Ville / Plaats / City
Tel	Mail
J'ai lu le mode d'emploi , signature du client :	
Ik heb de handleiding gelezen , handtekening van de klant :	
I read the Users' manual, signature of the client:	
Désignation du produit / Productbenaming / Product designation :	
Numéro de tracabilité / Tracking nummer / Traceability number :	
Date de facture / Faktuur datum / Date Invoice :	

N'HESITEZ PAS A PARTAGER VOTRE EXPERIENCE DU PRODUIT AINSI QUE VOS AVIS EN SCANNANT LE QR CODE

DEEL UW POSITIEVE ERVARING ENRECENCIE DOOR DEZE QR CODE TE SCANNEN

SHARE YOUR POSITIVE EXPERIENCE AND REVIEW BY SCANNING THIS QR CODE





JIDÉ, innovation and efficiency, that's us
Heat and savings are for you.

