

# MANUAL FOR INSTALLATION, USE AND MAINTENANCE

## NORDIC PLUS



*Congratulations!*

*You have chosen an appliance of the JIDÉ range and we would like to thank you for it. We are convinced that it will bring you warmth and comfort. In order to derive the greatest benefit from your fireplace, we greatly stress the importance of following the instructions and recommendations given in this notice.*

# TABLE OF CONTENTS

<b>INTRODUCTION .....</b>	<b>3</b>
<b>General.....</b>	<b>3</b>
<b>Technical characteristics and compliance .....</b>	<b>4</b>
<b>Dimensions of the Nordic Plus with ventilation fireplaces.....</b>	<b>5</b>
<b>Spare parts and accessories .....</b>	<b>6</b>
Nordic Plus one face.....	6
Nordic Plus double face.....	7
<b>Additional parts – Identification plate.....</b>	<b>8</b>
<b>USER NOTICE .....</b>	<b>9</b>
<b>Starting a fire .....</b>	<b>9</b>
<b>Combustion .....</b>	<b>11</b>
<b>The wood – Choice and usage.....</b>	<b>13</b>
<b>INSTALLATION NOTICE.....</b>	<b>16</b>
<b>Preparation – Arrangements.....</b>	<b>16</b>
<b>Fitting .....</b>	<b>18</b>
Fitting of the finishing frame (option).....	18
Fitting of the chimney connection .....	18
Installation of the connection for the convection air (option).....	19
Fitting of the combustion air intake.....	20
<b>Electrical connection .....</b>	<b>23</b>
<b>Ventilation access .....</b>	<b>24</b>
Automatic thermostat access for Nordic Plus one face .....	26
Automatic thermostat access for Nordic Plus double face .....	27
<b>MAINTENANCE OF THE FIREPLACE .....</b>	<b>28</b>
<b>Cleaning – Chimney sweeping.....</b>	<b>28</b>
Maintenance .....	28
Cleaning the window.....	28
Door.....	29
Cleaning the fan and the filter .....	29
Chimney-sweeping.....	30
Life cycle.....	30
End of life instructions .....	30
<b>TROUBLESHOOTING.....</b>	<b>31</b>
<b>Causes - Advice .....</b>	<b>31</b>
<b>DECLARATION OF CONFORMITY JIDÉ .....</b>	<b>33</b>
<b>Declarations of performance.....</b>	<b>34</b>
<b>Technical document.....</b>	<b>41</b>
<b>Warranty agreement.....</b>	<b>47</b>

# INTRODUCTION

## General

To obtain optimum operation of your fireplace in complete safety, we recommend having it installed by a specialist who will do the work professionally.

The responsibility of JIDÉ relates to the supply of the appliance. The installation is the responsibility of the owner who must have it done according to the requirements of this notice, and in accordance with the applicable regulations and standards of the different countries governing the installation, insulation and connection of closed wood-burning fireplaces, in new and old constructions, as well as smoke flues. The appliance may not be modified as it could present a real danger and will invalidate the warranty.

A list of our dealers-installers is available on our site: [www.jide.be/en](http://www.jide.be/en).

**Before using your fireplace for the first time and in order to guarantee its good usage and operation over time, we suggest you carefully read these instructions for use in order to familiarise yourself with its various functions and characteristics.**

Before starting your first fire, please ensure that no material required for the installation is in the fireplace.

The paint has not been cured and will consequently harden when used for the first time, causing the release of smoke and odours. We advise you to make a very strong fire and then ventilate the room well.

The Nordic Plus range, with ventilation, comprises the following models:

- Nordic Plus 67/60
- Nordic Plus 77/60
- Nordic Plus 77 DF
- Nordic Plus 16/9
- Nordic Plus 16/9 DF
- Nordic Plus 58/54
- Nordic Plus 56/75

## Technical characteristics and compliance

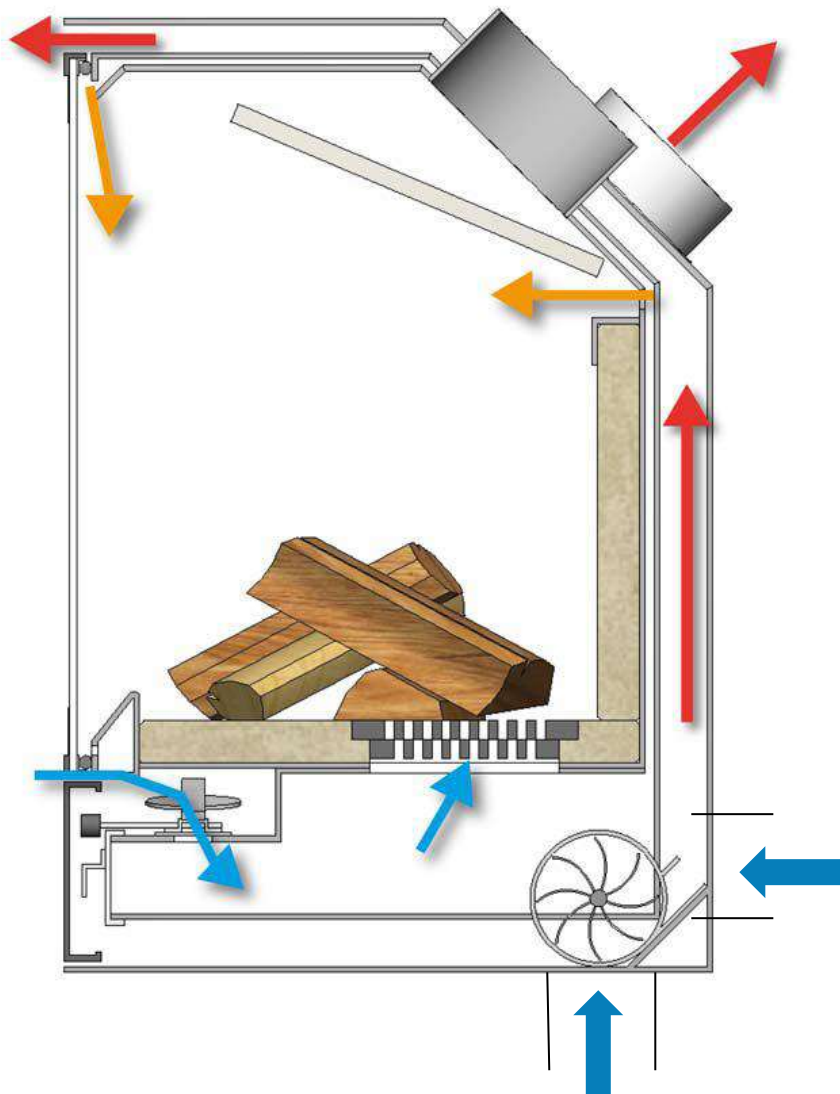
Combining ecology and economy, JIDÉ has created the Nordic plus range in which the **primary air** arrives under the grate to foster fire-lighting in the fireplace (important to start the fire in an appropriate way and to reach faster high temperatures). After 10 to 15 minutes, the **grate must be closed**, which will allow preheated **secondary and tertiary air** to come in.

The preheated secondary air creates post-combustion by re-burning the gases, and this greatly improves the efficiency.

The **preheated tertiary air** has a “turbo” effect, sweeping the glass from top to bottom to keep it clean and creates a sufficient supply to feed the fire without primary air.

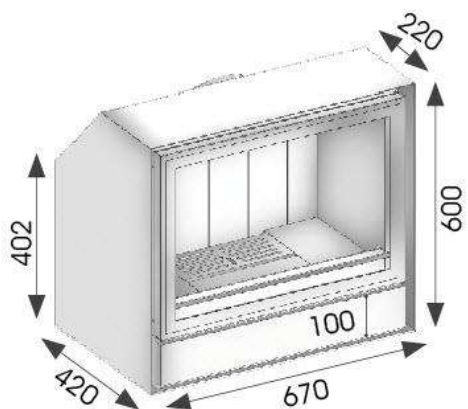
Ecological solution: cleaner emissions, less dust and CO.

Economic: greatly reduced wood consumption.

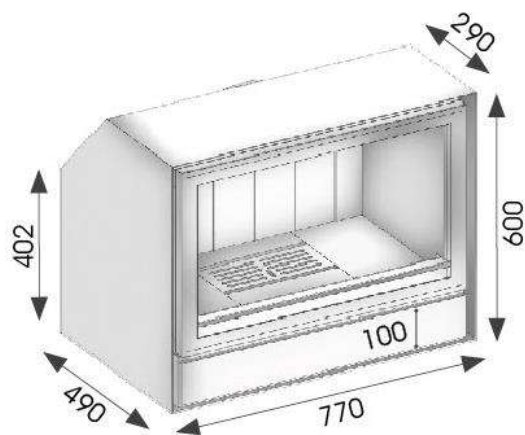


## Dimensions of the Nordic Plus with ventilation fireplaces

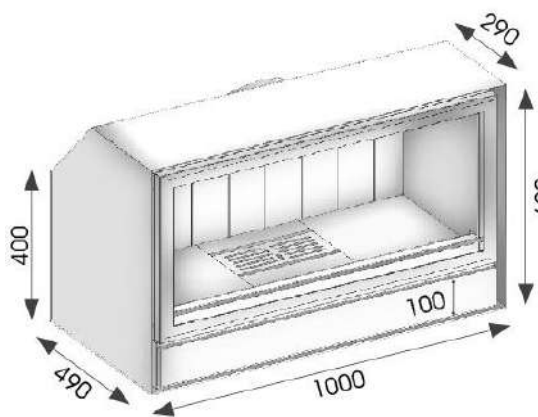
**Nordic Plus 67/60**



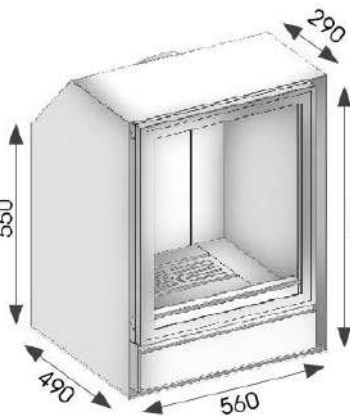
**Nordic Plus 77/60**



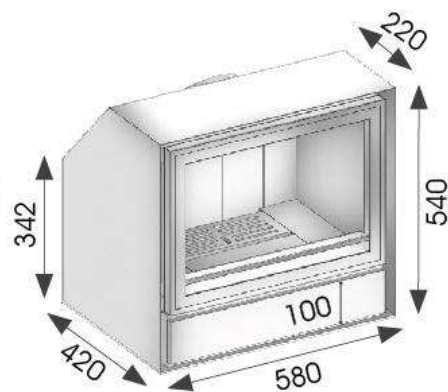
**Nordic Plus 16/9**



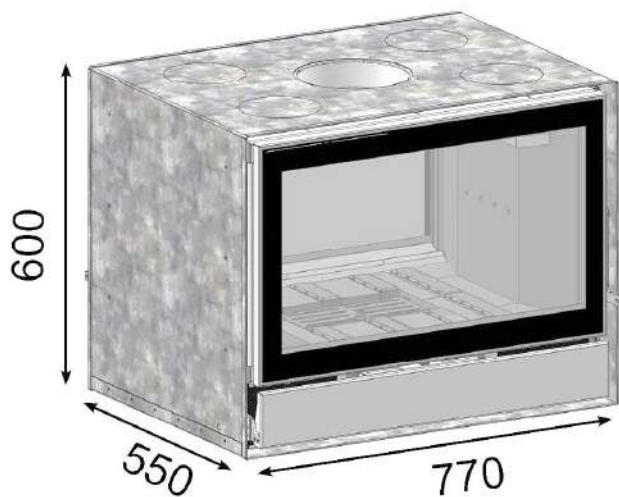
**Nordic Plus 56/75**



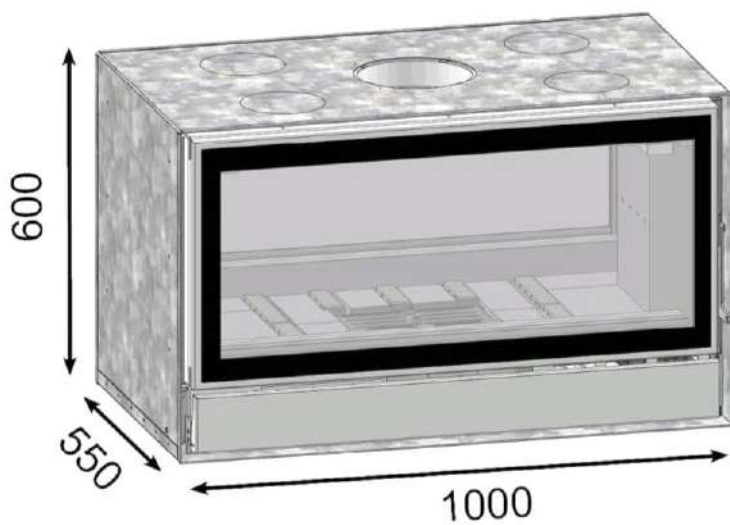
**Nordic Plus 58/54**



**Nordic Plus 77 DF**



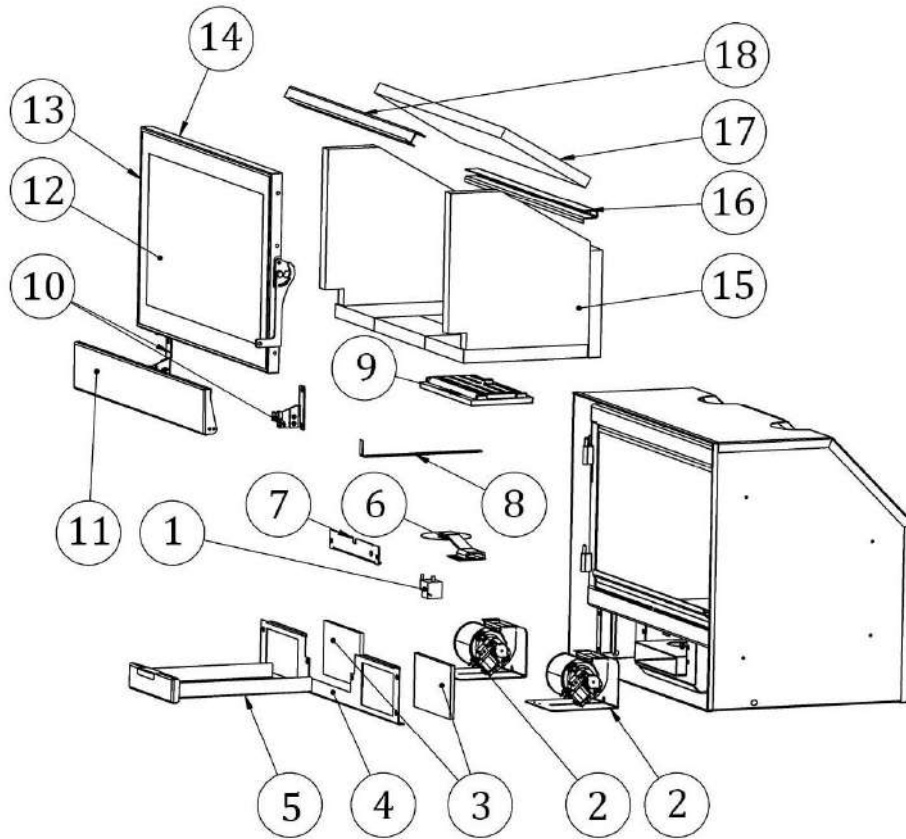
**Nordic Plus 16/9 DF**



## Spare parts and accessories

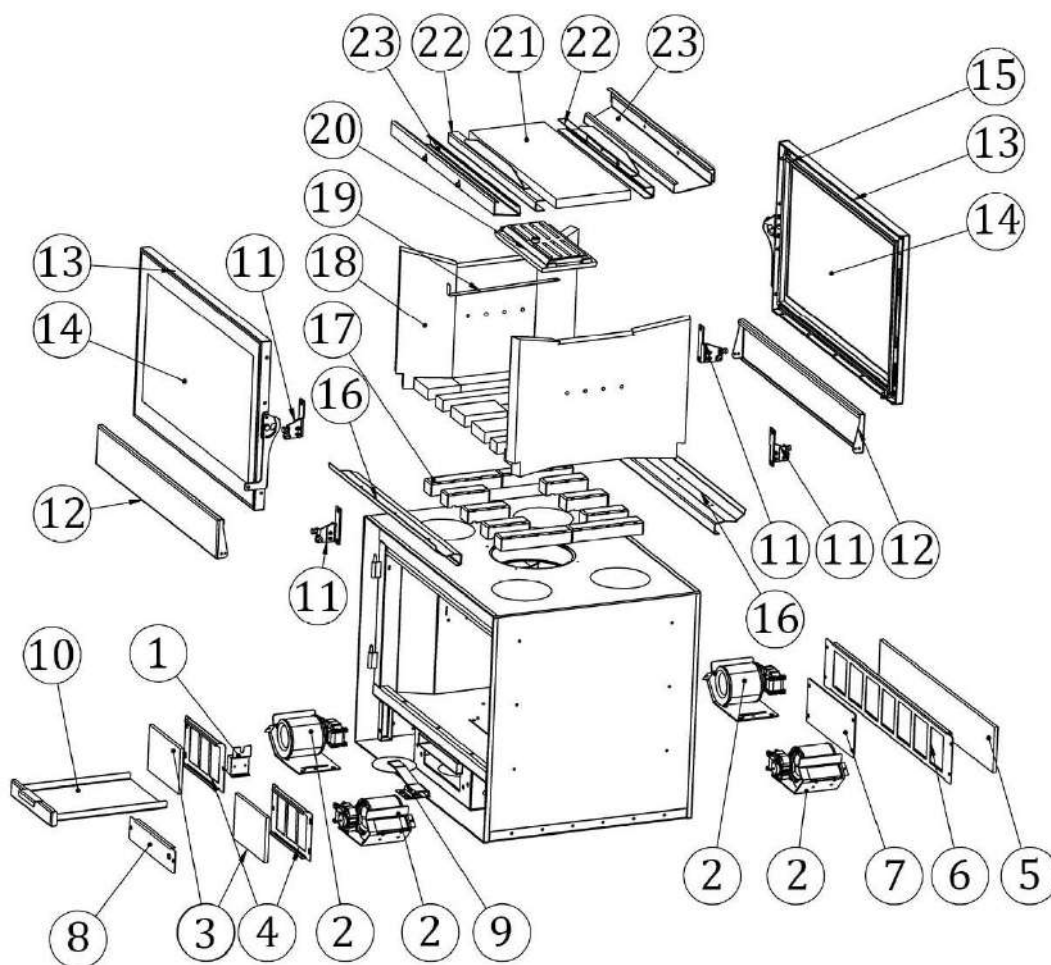
### *Nordic Plus one face*

<b>1</b>	Airstat	<b>10</b>	Cover's support
<b>2</b>	Fan x2	<b>11</b>	Cover
<b>3</b>	Filter x2	<b>12</b>	New-look glass
<b>4</b>	Filter holder	<b>13</b>	Door
<b>5</b>	Ashtray	<b>14</b>	Door seal dia. 15
<b>6</b>	Thermostat	<b>15</b>	Vermiculite kit
<b>7</b>	Access to thermostat	<b>16</b>	Vermiculite's sustain
<b>8</b>	Pull knob of removing the ashes	<b>17</b>	Vermiculite baffle
<b>9</b>	Double grid Nordic	<b>18</b>	Baffle's support



## Nordic Plus double face

1	Airstat	9	Thermostat	17	Primary air spreader
2	Fan x4	10	Ashtray	18	Vermiculite kit
3	Front filter x2	11	Cap holder pair x2	19	Pull knob of removing the ashes
4	Support front filter	12	Cap x2	20	Double grid Nordic
5	Back filter x2	13	Door x2	21	Vermiculite baffle
6	Support back filter x2	14	New-look glass	22	Stainless steel support for vermiculite baffle x2
7	Combustion air intake trap	15	Door seal dia. 15 x2	23	Small stainless steel baffles x2
8	Access to thermostat	16	Stop embers x2		



**JIDÉ**

## Additional parts – Identification plate

In addition to the fireplace, the packaging contains the following elements:

- A poker-cold handle
- A glove;
- A speed controller and an airstat to regulate ventilation (for fireplaces with ventilation);
- A short stainless steel duct 45° right-angled for one face and right duct for double face, for the smoke link;

**Attention: before using the fireplace, make sure to get the spray out and to keep it away with a minimum distance of 2 m.**

- On the packaging, instructions for use with identification plate.

All the JIDÉ fireplaces are registered as soon as they leave production, according to the information contained on a plaque that accompanies this notice, stating in particular the power, efficiency and CO emissions of the appliance.

This plaque must be kept and will enable your appliance to be identified in our files (traceability) if necessary. We advise you to paste it on this user and installation notice or on your invoice.



# USER NOTICE

## Starting a fire

Before lighting, **remove ashes** by means of the pull knob (to give off the grid by leaving 2 to 3 cm of ashes in the content of the stove).

The **ashtray must be emptied regularly** to allow the passage of the air for combustion.

**Do not exceed the maximum loading authorized (see page 15).**

### IMPORTANT actions before starting your fire:

- 1 For the correct use of the appliance, the **door must be opened slightly and the grid must be opened too** (position forward) for 15 minutes - the time necessary to reach a sufficient temperature in the fireplace.
- 2 When the window is hot, please close the door. Combustion air inlet is regulated by the automatic thermostat to obtain reduced wood consumption with respect to the heat recovered. When the fireplace is hot, fans start automatically. Ashtray can never be opened or removed when the device is working.  
We advise you to set thermostat on 9 to start the fire, and on 3 or 4 when normal use.

	GRID	ASHTRAY	THERMOSTAT	DOOR
Starting the fire	Open	Close	automatic	Half-open
Hot fireplace after 15 minutes	<b>CLOSED</b>	<b>CLOSED</b>	automatic	<b>CLOSED</b>

- It is not recommended to change thermostat from maximum to minimum without any transition.
- For good performance do not remove completely the ashes of the stove.
- When the fire need a reloading, open thermostat to maximum and speed controller to minimum. Open slightly the door in order to avoid reverse flow of smokes in the room. After loading, do not forget to position thermostat and ventilation on the desired position (in use: 3 or 4).
- **Caution: never use without ventilation!**

**Grid open**



**Pull knob forward  
ONLY for starting the fire**

**Grid closed**



**Pull knob backward**

To open the grid (**only** to start the fire), position pull knob forward (left picture).  
To close the grid, push the pull knob closer to the heating chamber (right picture).  
Note that when you close the door, the pull knob closes automatically the grid.

**CAUTION**

- When the fireplace is hot, the **grid MUST BE CLOSED**.
- Ashtray **must be closed** to keep control of the fireplace and to avoid the thermostat's button to melt. Each damage ensued by no-respect of these requirements cannot be covered by the guarantee. Ashtray must be emptied each working day of the device.
- The fireplace is designed to be used with the door closed, after starting the fire.
- We recommend using firelighter blocks that stimulate faster and cleaner combustion of the wood. Do not use inflammable liquid products.

# Combustion

## Combustion air

Combustion air is settled by an automatic thermostat, which regulate the working speed of your fireplace, after started.

Thanks to the temperature sensor (on the right side of the device), the thermostat automatically settle the coming of air, by opening of closing the air inlet. The thermostat is not influenced by the room temperature. It only react to the one of the fireplace (which will depends on the speed of the fans). It is therefore normal that if the temperature of the fireplace is high, the valve will be closed whatever the control switch and the temperature of the room are.

***To keep this control of your fireplace, it is important to close perfectly the ashtray. Thermostat is a security and you have to make sure not to provoke any additional air inlet by letting the ashtray open, which would lead to an overheating causing disused of the temperature sensor and loss of the guarantee.***

## Convection air

Originally, your appliance operates with ventilation controlled by a speed controller. Depending on the chosen position, the speed controller determines the forced hot air flow outside your fireplace (maximum power heating is reached with ventilation on the highest level).

The airstat (on the left side of the device) is an accessory which turns on and off ventilation according to temperature sensor. This ventilation turns on once the fireplace has reached a certain temperature. Ventilation must always turn when the fireplace is hot, otherwise the fans will be degraded. Hot air outlet will allow a hot convection air distribution in the room of the fireplace or in another room. If you have this type of installation, it is essential to take advice from your approved installer.

There is an option "**strop air**" which fosters the hot convection air distribution through other holes, by filling the convection air outlet on the top of the fireplace.

## Ashtray

To remove ashes, you have to make a back and forth move, forward to backward with the pull knob of the grid, when the fire is off.

It is compulsory to empty the ashtray regularly to allow the combustion air flow.

## **Chimney**

The smoke produced by the wood combustion is removed through the chimney flue. The draft of the chimney reduces the pressure in the fireplace, which removes a part of the smoke and supplies the combustion.

- A good draft will result in a high temperature difference between the inside of the chimney and the outside of the house.
- Too great a draft will not enable a high enough temperature to be reached for good combustion.
- Too small a draft will lead to a risk of reverse flow, fouling of the window and sooting of the chimney.

An approved chimney sweep should be consulted for any questions regarding the good use and maintenance of the chimney.

### **General recommendations**

- It is not recommended to greatly reduce the operation of the fireplace to such a point that there are no flames, a sign of poor combustion (speed of the fan too low). The unburned gases are converted into soot.
- In the same way, if overloaded your fireplace will not provide any additional comfort and will lead to a reduction of efficiency, a pointless increase in the consumption of wood, a loss of heat and abnormal wear of your fireplace.
- Certain weather conditions (strong wind, fog) may affect the combustion and draft of the chimney and the air intake will have to be adjusted
- When removing the ash, pay attention to the persistent presence of embers.
- In the event of a chimney fire, the door and the ashtray must be closed.
- To ensure an optimal use of the stove, the ashtray must be empty every day of using of this one.
- NEVER use flammable liquid products to light the fire or reactivate the fire!

## The wood – Choice and usage

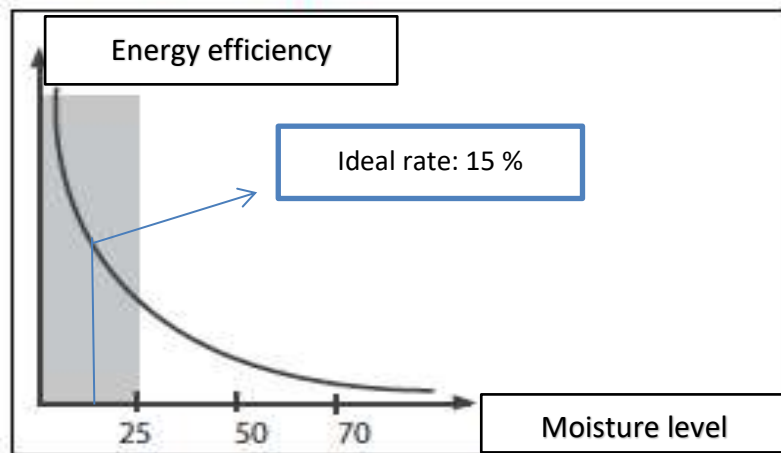
The JIDÉ fireplaces are designed to burn hard wood logs only.

The quality of wood is important.

“Green” wood contains a lot of water (approx. 50 %)

“Dry” wood, kept outside for 18 to 24 months and well ventilated, still contains 15 % water.

Damp wood is more difficult to consume, presents a lower calorific power and pollutes the environment.



Split wood presents better combustion and will improve the operation of your fireplace.

The calorific value of wood depends on its type, and the volume of wood required for the same quantity of heat differs according to this choice. Thus, the “hard” wood varieties such as beech, oak, whose density is high, will require a lower quantity than other low density species:

### Density

Hornbeam .....	400 – 500 kg per m <sup>3</sup>
Oak.....	380 – 480 kg per m <sup>3</sup>
Beech .....	350 – 450 kg per m <sup>3</sup>
Birch.....	300 – 400 kg per m <sup>3</sup>
Poplar .....	250 – 350 kg per m <sup>3</sup>

## Maximum loading of the fireplace per hour:

Nordic Plus 67/60 .....	2,8 kg ( <u>maximum</u> ) of dry wood per hour
Nordic Plus 77/60 .....	3,2 kg ( <u>maximum</u> ) of dry wood per hour
Nordic Plus 77 DF.....	2,9 kg ( <u>maximum</u> ) of dry wood per hour
Nordic Plus 16/9 .....	3,6 kg ( <u>maximum</u> ) of dry wood per hour
Nordic Plus 16/9 DF .....	3,2 kg ( <u>maximum</u> ) of dry wood per hour
Nordic Plus 58/54 .....	2,4 kg ( <u>maximum</u> ) of dry wood per hour
Nordic Plus 56/75 .....	2,6 kg ( <u>maximum</u> ) of dry wood per hour

### CAUTION

The overloading of wood of your stove may have some consequences and the damage hereafter will obviously not be covered by the warranty:

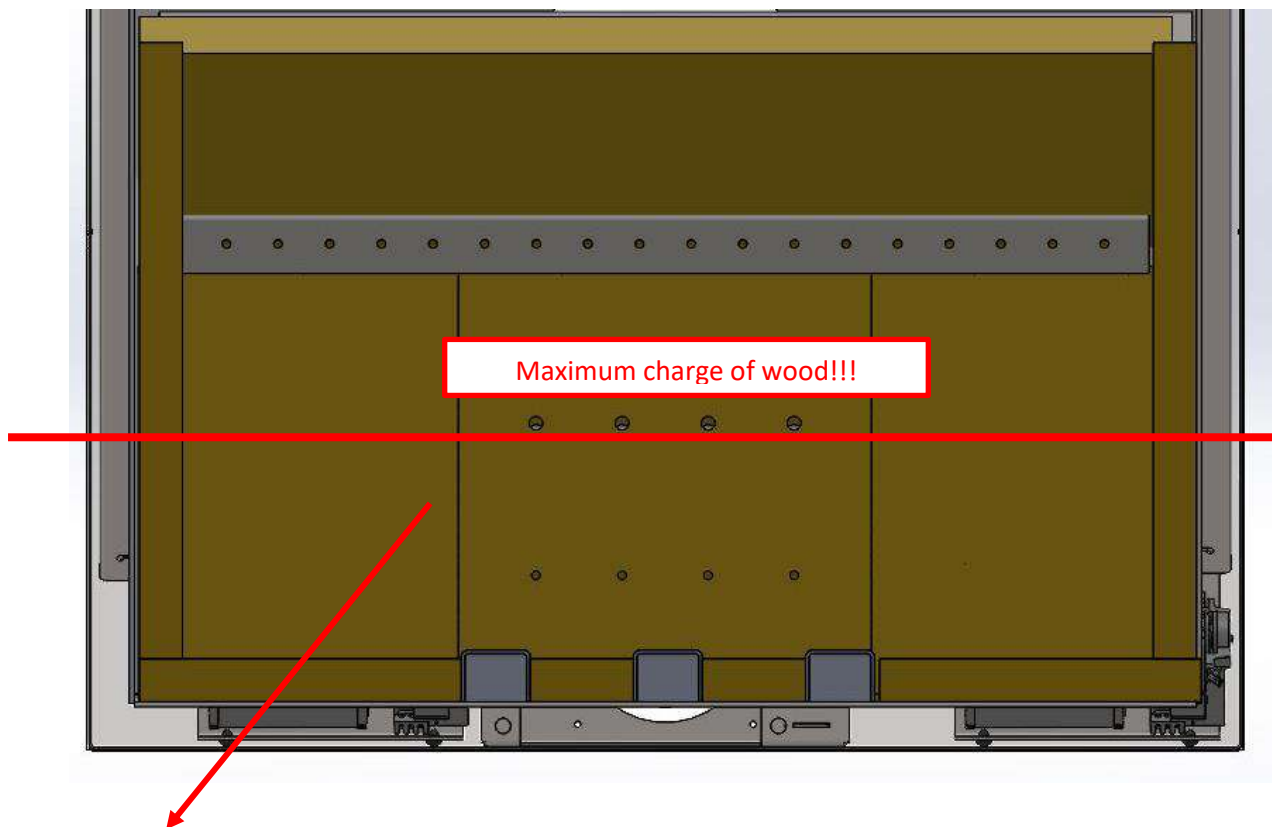
- Deformation of the baffle;
- Deterioration of the grid;
- Bleaching of the glass;
- Degradation of the vermiculite;
- Accentuated noise of the ventilator;
- Damages on the automatic thermostat and astat;
- Excessive dilation of the door being able to involve a deformation of this one.

**Moreover, we recommend you:**

\*Not to burn resinous or treated wood (e.g. painted wood) or any other material containing toxic products harmful to the environment, or which are aggressive for the components of the fireplace.

\*To only burn heating wood, your fireplace is not designed to be used as an incinerator.

\*Not to overcome the calorific value of wood. Pay attention to the calorific value of compressed logs. Half a compressed log at a time.



To avoid **overheating**, the **log can't be higher than the red line**, the hole must be always visible.

By covering the hole, there will be **consequences** such as lose of combustion control, the draught will increase which lead to a decreasing of efficiency, increasing of the energy cost and decreasing of the stove's lifespan.

# INSTALLATION NOTICE

## Preparation – Arrangements

It is important to check the fireplace upon receipt and to ensure the absence of any damage during transport.

### *Dimensions of the recess*

The recess, i.e. the volume around the fireplace, has to contain the appliance while providing an additional space of at least 5 mm (left, right, and above the fireplace) in order to accommodate expansion. There must be no masonry against the fireplace.

### *Ventilation around the fireplace*

It is necessary to ventilate the recess with an air inlet in the base and air outlet at the top in order to reduce the temperature of the walls and to recover it in your home.

### *Insulation of the fireplace*

The materials used must be non-inflammable. The temperature of smoke to the chimney being able to reach 300° to 400°, this one could cause a combustion of not isolated combustible materials.

Provide high-temperature insulation around the fireplace to protect certain materials. In this case we advise protecting the back, sides and top of the appliance. If no insulation has been provided, it is recommended keeping a distance of 15 cm from inflammable materials and 15 cm from non-inflammable materials.

Your installer can advise you regarding the protection to be provided. Still with regard to protection, your installer can also provide a floor plate in front of the insert in order to guard against the ejection of embers.

### *Fireplace base*

We recommend placing the appliance on a **solid flat surface** with sufficient strength to support the weight of the fireplace and the chimney flue. We also advise you to make the appliance firmer with a wall in order to increase the stability of the fireplace.

### *Radiation from the fireplace*

The fireplace emits heat by radiation through the window and by air convection. It is thus essential to provide non-inflammable materials in the distribution zone.



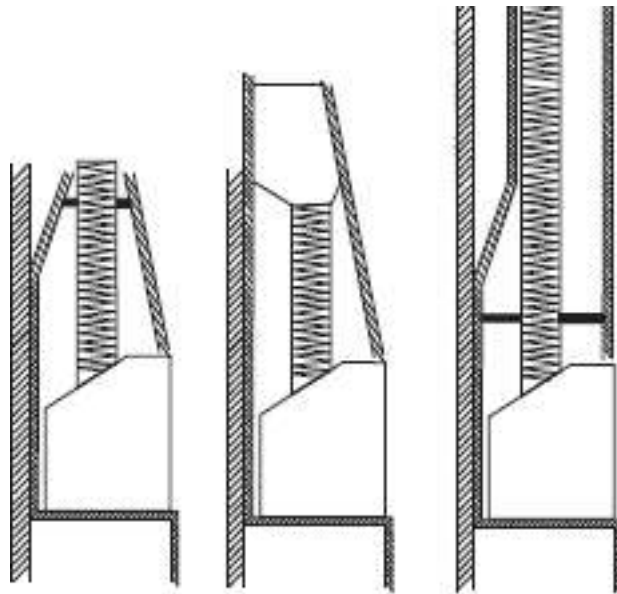
## Sealed connection

To ensure a sealed connection, appropriate to the desired installation and the good operation of your fireplace, please consult your installer who will give you with the necessary information.

The section of the flue must be similar if possible to the one of the stove. If the section of the flue is much more important than the one of the stove, it is advised to tube the chimney on all its height and to insure the sealing of connection. It is necessary to be vigilant on the state of the existing flue and more still on connection of the flexible device to the existing flue. A bad connection can be the cause of disasters. Do use only pipes stainless appropriate to this use.

It is mandatory to put from the device at least 1 m hard or flexible pipe, in steel or in stainless steel, to connect the smoke exit.

The chimney must have a normal pulling i.e. that with its power maximum, the depression will have to range between 12 and 20 Pa.



## Fitting

### ***Fitting of the finishing frame (option)***

The fireplace must protrude by 10 mm with respect to the plane of the masonry to enable the correct attachment of the frame.

A three or four-sided frame is available as an option.

The finishing frame clips onto the appliance with spring supports.

- 1 Place the frame on the appliance, with the back of the frame inside the fireplace.



- 2 The clips are located outside the body



- 3 Right fitting



- Wrong fitting



### ***Fitting of the chimney connection***

Ensure the good seal of the connection. Your one face appliance is supplied with a short stainless-steel duct 45° right-angled for the chimney connection. It fits onto the appliance.



For Nordic Plus double face, the stainless-steel duct is right.



When the duct is placed on the appliance, fold back the 2 safety clamps.



### ***Installation of the connection for the convection air (option)***

Your one face appliance has 2 hot air openings for the convection, 4 for double face.

#### Nordic Plus one face

1 Remove the disk



2 Fix the duct with three self-boring screws



## Nordic Plus double face



## ***Fitting of the combustion air intake***

You may face two specific cases:

### Nordic plus one face

- Possibility of external air inlet  
Plug the external air inlet to the back from the short stainless steel or to the bottom (remove the plate and fill the back inlet).



In this case, keep the ashtray's face.



- No possibility or necessity of an external combustion air inlet

1. Remove the ashtray.



2. Take off the knob of the thermostat



3. Take off the small plate

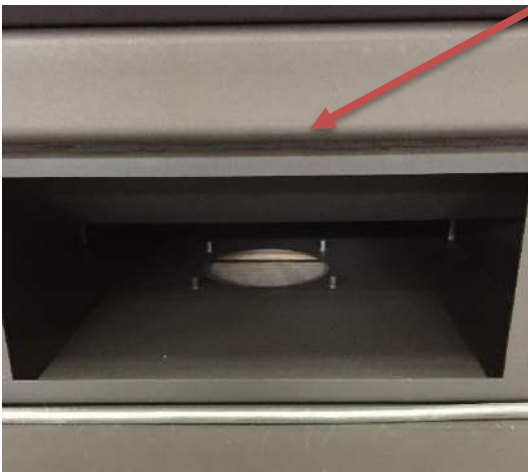


4. Replace the knob of the thermostat



## Nordic Plus double face

- Possibility of external air inlet  
Plug the external air inlet from the middle of the below part of the device. The small duct is available from the trap behind the filters, at the opposite side of the ashtray. Remove the filter and the plate between the fans. Place the small pipe.



- No possibility or necessity of an external combustion air inlet  
Take off the trap behind the filters, at the opposite side of the ashtray. Then, replace the filter and the cover.



**JIDÉ**

## Electrical connection

### Ventilation connection (optional)

**Caution: make sure to switch off the power supply before working on the electrical circuit**

: Grounding



↓ : Grounding

L : Line

M : Motor

N : Neutral

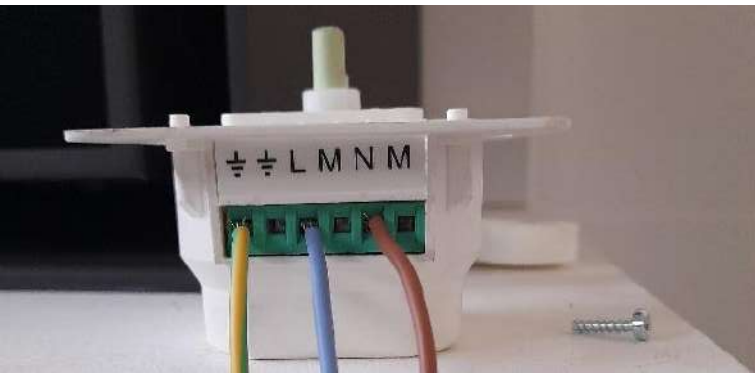
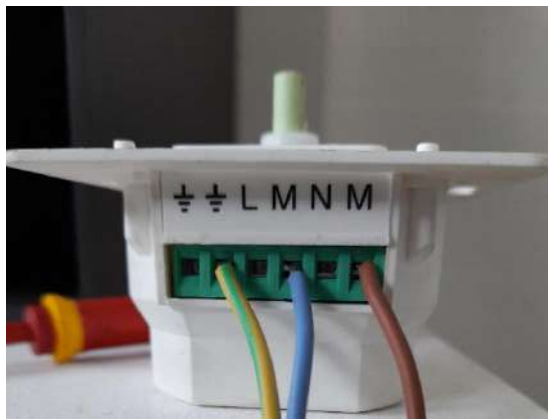
M : Motor

### Connecting the drive to the fan:

Connect the fan wires to the "Motor" terminals.

3

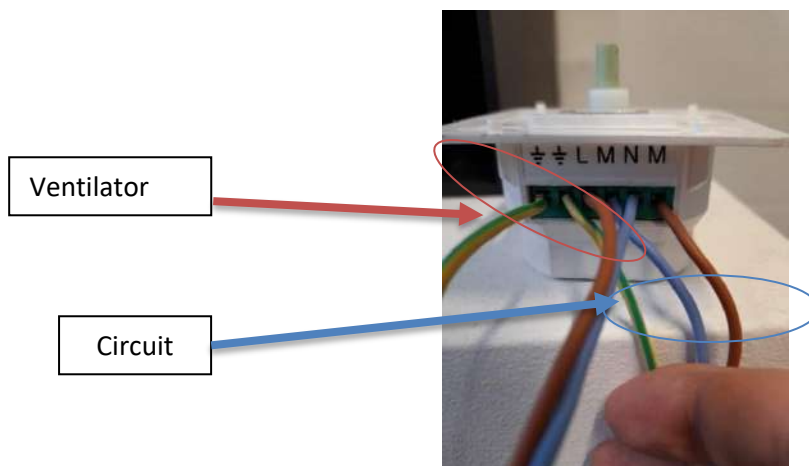
Connect the grounding wire (yellow and green) to the grounding terminal.



### Connecting the drive to the mains :

Connect the wires from the socket to the "Line" and "Neutral" terminals.

If present, connect the grounding wire (yellow and green) to the grounding terminal.



## Ventilation access

### *Integrated ventilation access for Nordic Plus*

Before removing, make sure power supply is cut.

- 1 Unscrew supports and remove the cover and the filter support



- 2 Unscrew and remove the fan support



Nordic Plus one face



Nordic Plus double face  
(airstat on the left)



You have now the possibility to clean the fan. **Proceed with caution.** Dust turbine blades carefully with the help of a brush. Reinstall everything.

**Attention**, if you fold a turbine blade, you will risk an unbalance which will lead to an abnormal noise from the fan.



## **Airstat access for Nordic Plus one face and double face**

- 1 Remove the cover, the magnet support and the filter support (see ventilation access).



- 2 Take the fan support on the left of the ashtray and remove the sensor of the airstat. This one is located in the vein of convection air, above the door on the left side.

**One face**



**Double face**



- 3 Remove the fan support of the fireplace, disconnect the plugs or the airstat. You can now unscrew the airstat.

**One face**



## ***Automatic thermostat access for Nordic Plus one face***

- 1 Remove the front side of the ashtray and the thermostat's knob.



- 2 Remove then the plate behind the knob. You can see the automatic thermostat (preset on position 9). Its bulb is located in its support, upwards on the right side of the heating chamber.



## ***Automatic thermostat access for Nordic Plus double face***

Remove the thermostat's knob and the small plate.



**CAUTION: We could not be held responsible for an improper installation. These must be very neat and made according to standards. Complementary products used for the installation must be conform to local regulations.**

# MAINTENANCE OF THE FIREPLACE

## Cleaning – Chimney sweeping

### Maintenance

Before working on the fireplace, ensure that it is cold.

Clean (with as ash vacuum cleaner) the particles and residues which remain in the housing of the ashtray.

Clear de grid by mean of the pull and empty the ashtray during the period of operation of the stove.

The joint of the door of the ashtray must always be in good state and if needed, replace it.

Ensure that there is no objects (scrap) between the grids of removing of the cinders, which could bloc them.

The metal parts can be wiped with a dry cloth.

The inside panels for protection (cast iron or vermiculite) can be split without preventing a normal functioning of the stove. Look after that is does not miss a piece. In this case replace the damaged parts.

Your dealer can give you an aerosol for touching up the paintwork if required.

Use original spare parts for any repairs.

### Cleaning the window

We recommend one of the following two methods for cleaning the window of your fireplace:

1. If dry, use absorbent paper and / or 000 steel wool:

With good burning (dry wood and good fire management), the absorbent paper makes it possible to remove most dirt from the glass. Remove the remaining dirt by using steel wool "000". (Thicker steel wool can damage the glass (scratches)). Avoid rubbing the edge of the screen print (black part printed on the glass) with steel wool, this can permanently damage the screen print. You can use this method on cold glass or on warm glass (with a glove).

2. With a damp cloth and wood ash:

The window can be easily cleaned with a cloth or slightly damp absorbent paper that has been previously soaked in the cold (white) ash of your fireplace. Rub the dirty parts and wipe them with a clean damp cloth.

We **prohibit** the use of a liquid cleaning product. The dripping of this product on the lower black screen of the glass can leave traces, which unfortunately will be final, they can also damage the paint of the device. If you have to use a liquid detergent due to too much contamination, two precautions are essential:

- Use a product without corrosive soda.
- Spray the product on a cloth and not on the glass to prevent spillage.

**!!! If you do not follow these precautions, the glass may break!!!**

Indeed, a liquid product can carry the dust with it to the compensation seal that is located between the glass and the structure of the door. This dust penetrates the seal and loses its elasticity and forms a hardened crust, which causes stress on the glass and leads to cracks.

**Door**

Check the joint of the door.

Use the annual maintenance to check the seal of your fireplace by wedging a strip of paper on the joint before closing the door. If the strip does not stay wedged, the joint must be replaced or the eccentric for door must be adjusted. This setting will bring the door closer to the heating body. Unscrew the nut with a spanner (8), rotate the eccentric to the back of the appliance and screw back the nut.



Pay attention, if you replace the seal after having done this setting do not forget to adjust the eccentric to the front of the device. Your dealer will be able to do this.



Eccentric for door

Twice a year, clean the hinge of the door, coat with a releasing oil in order to prevent moisture penetrating and from blocking the axis of this one.

**Cleaning the fan and the filter**

It is necessary to supervise the state of cleanliness of the ventilators.

The accumulation of dust causes an unbalance of the turbine, which makes force the engine which can burn or make noise.

Before any work, please disconnect the electricity supply.

The filter which protects the fan can be cleaned with lukewarm soapy water, or vacuumed. It will be easier by removing the fans (see ventilation access above).

The fan can be dusted if it is fouled. Do not apply pressure to the fan blades, at the risk of bending them and thus creating an imbalance that will lead to noise and vibrations.

These operations can be repeated during the year depending on the fouling.

Grease the axes.



### **Chimney-sweeping**

With a concern for safety and observance of the applicable legislation, you must have the chimney swept **at least once per year**, in order to limit the tar deposits in the chimney.

It is an opportunity to check the condition of the flue and connection of the chimney. It is recommended first carefully removing the baffle then repositioning it in its initial position.

Vacuum three or four times per year the residues above the baffle.

### **Life cycle**

In order to increase the life span of your fireplace insert, it is important to follow the operating and maintenance instructions.

However, your appliance is made up of various components that can wear out and/or deteriorate over time. Your appliance is designed to be easy to replace. Your installer is able to identify and replace any parts that are no longer functional.

### **End of life instructions**

After dismantling the appliance, it should be taken to an authorised collection point.

The appliance is made of steel and can be fully processed in the steel recycling system.

The door glass is made of boro-silicate glass and must be treated separately from food glass.

The control units will be recycled at an electronics processing centre.

# TROUBLESHOOTING



## Causes - Advice

Observation	Possible causes	Remedies
<i>Lighting-up difficulties</i>	<ul style="list-style-type: none"> <li>- Damp fuel</li> <li>- Logs too large</li> <li>- Cold flue</li> <li>- Insufficient draft</li> </ul>	<ul style="list-style-type: none"> <li>- Use small dry wood to form a bed of embers</li> <li>- Use smaller logs</li> <li>- Preheat the flue gas duct with a lighter cube, for example.</li> <li>- Check the operating conditions of the flue and the air intake level in the home</li> <li>- Draft test with a depressionmeter</li> </ul>
<i>Return of smoke</i>	<ul style="list-style-type: none"> <li>- Insufficient draft</li> <li>- Effect of wind</li> <li>- Poorly insulated flue</li> <li>- Flue too short</li> <li>- Flue not sealed</li> <li>- Flue cross-section too small</li> <li>- Flue partly obstructed by a foreign body of tar</li> <li>- Presence of a too powerful V.M.C or cooker extraction hood</li> <li>- During the opening of the door</li> </ul>	<ul style="list-style-type: none"> <li>- Consult the installer</li> <li>- Draft test with a depression meter</li> <li>- Inspect the flue and sweep if necessary</li> <li>- Review the air intake level of the home (check the opening of a door or window)</li> <li>- Place the house und a slight overpressure</li> <li>- Open the air inlet before opening the door</li> <li>- Always open the door slowly in order to avoid smoke being sucked outside the fireplace</li> </ul>
<i>Little heating, the fire does not take well during normal operation</i>	<ul style="list-style-type: none"> <li>- Insufficient draft</li> <li>- Wood too damp</li> <li>- Too large wood in diameter</li> </ul>	<ul style="list-style-type: none"> <li>- See above</li> <li>- Use wood which shows a water content ranging of 15 %</li> <li>- Make sure of a sufficiently sharp combustion before charging the stove with wood with a large diameter</li> <li>- Increase the level of primary air combustion</li> </ul>
<i>Chimney fire</i>	<ul style="list-style-type: none"> <li>- Insufficient draft</li> <li>- Wood too damp</li> <li>- Negligence with the sweeping</li> </ul>	<ul style="list-style-type: none"> <li>- See above</li> <li>- Respect the normal frequency of the sweeping</li> </ul>

<b>Observation</b>	<b>Possible causes</b>	<b>Remedies</b>
<i>Poor heating with a strong fire</i>	<ul style="list-style-type: none"> <li>- Appliance not sealed</li> <li>- Excessive draft</li> </ul>	<ul style="list-style-type: none"> <li>- Check the integrity of the appliance (joints) and connection</li> <li>- Reduce the draft conditions of the flue and in particular add a draft regulator to obtain between 12 and 20 Pa</li> </ul>
<i>Too much heating, combustion too fast</i>	<ul style="list-style-type: none"> <li>- Appliance overloaded with fuel</li> <li>- Small diameter fuel</li> <li>- Too important opening of the air for combustion</li> </ul>	<ul style="list-style-type: none"> <li>- Load the appliance reasonably, wood p.15</li> <li>- Increase the diameter of the logs</li> <li>- Clear the ash from the appliance less often</li> <li>- Decrease the air flow of combustion</li> </ul>
<i>Backflow of smoke through the door</i>	<ul style="list-style-type: none"> <li>- Insufficient draft conditions at nominal operation of the appliance</li> </ul>	<ul style="list-style-type: none"> <li>- Slightly open the air inlet in order to respect the minimum value of the operating air flow</li> <li>- Take care with the use of a cooker hood or VMC</li> <li>- Check the position of the baffle</li> <li>- Check the position and seal of the door joints</li> </ul>
<i>The window fouls very quickly</i>	<ul style="list-style-type: none"> <li>- Damp wood</li> <li>- Slightly insufficient draft</li> <li>- Operating with the primary air not sealed</li> <li>- Burn rate reduced for too long</li> </ul>	<ul style="list-style-type: none"> <li>- Use wood with a moisture level of 15 %</li> <li>- Increase the level of the air inlet in the appliance</li> <li>- Increase the cross-section for the passage of smoke by slightly opening the air inlet</li> <li>- Check the position of the baffle</li> <li>- Close the primary air (lever in central position)</li> <li>- Avoid reduced burn rates</li> </ul>
<i>The window cracks</i>	<ul style="list-style-type: none"> <li>- Shock or blow, never "slam" the door of the insert</li> <li>- The seal (between glass and door) hardens by the use of liquid products when cleaning the window</li> </ul>	<ul style="list-style-type: none"> <li>- Replace the window</li> </ul>
<i>Formation of bistre (tar) in the flue and appliance</i>	<ul style="list-style-type: none"> <li>- Damp wood</li> <li>- Flue too long</li> <li>- Flue poorly insulated</li> <li>- Lack of air intake in the home</li> </ul>	<ul style="list-style-type: none"> <li>- Use wood with a moisture level pf 15 %</li> <li>- If possible reduce the path for the smoke, line the flue</li> <li>- Add heat insulation to the flue (ceramic wool ...)</li> <li>- Check the air inlet level in the home (opening of a door or window)</li> <li>- Check the use of a cooker hood or VMC</li> </ul>
<i>The paint flakes</i>	<ul style="list-style-type: none"> <li>- Overheating</li> </ul>	<ul style="list-style-type: none"> <li>- Sanding and repainting</li> <li>- Respect the maximum loading of wood per hour</li> </ul>



## DECLARATION OF CONFORMITY JIDÉ

EU DECLARATION OF CONFORMITY	
The Company	JIDE S.A. Rue des Meuneries 11 4650 Herve Belgique
	
declares with full responsibility that the fireplace, Nordic-plus 16-9, Nordic-plus 16-9 DF, Nordic-plus 56-75, Nordic-plus 58-54, Nordic-plus 67-60, Nordic-plus 77-60, Nordic-plus 77 DF,	
which is the subject of this declaration are in conformity with the following directives and harmonized standards:	
Regulation (UE) 2016/426 (EU) 2015/1185, (EU) 2015/1186 Guidelines : 2009/125/EC, 2014/35/EU European standards: EN 13229:2001	
The company mentioned above keeps the documents proving compliance with the directives available.	
<b>JIDE S.A.</b>	
Herve le	11/09/2023
Jean-Philippe Couasnard	
Delegated Administrator	

# DECLARATIONS OF PERFORMANCE

## Declaration of performance According to European Regulation 2011/305

DOP N° : NO+56

### Product

*Nordic-plus 56-75 (NO+56)*

Serial number : see identification plate supplied with device

Intended use heating with solid fuel

Fuel : wood logs with moisture content < 25%

### Manufacturer

JIDE S.A.

[info@jide.be](mailto:info@jide.be)

Rue des Meuneries, 11

[www.jide.be](http://www.jide.be)

B-4650 HERVE

Tél. : 087 31 75 12

Belgique

### Système of AVCP

ARGB - NB2013 has delivered the report 2016-0038 According to the European Regulation 2015-1185, base on the standard, EN 13229:2001

### Declared performance

Declared performance		Declared Emission	
Puissance nominale	15 kW	Particules	37 mg/Nm <sup>3</sup>
Rendement	77,0 %	COG	43 mg/Nm <sup>3</sup>
Rendement saisonier	66,3 %	CO	1238 mg/Nm <sup>3</sup>
IEE	101	Nox	53 mg/Nm <sup>3</sup>

### Auxiliary electricity consumption

At nominal heat output	0,052 kW
at minimum heat output	0,037 kW
in standby mode	0,001 kW

### Fire safety

Rear : 23 mm	Protected by heat insulator : Yes
Side : 23 mm	Protected by heat insulator : Yes
Top : 62 mm	Protected by heat insulator : Yes

The performance of the product identified above is in conformity with the set of declared performances. This declaration of performance is issued, in accordance with Regulation (EU) n° 305/2011, under the sole responsibility of the manufacturer identified.

In Herve, Monday 11 September 2023

Jean-philippe Couasnard

Delegated Administrator



**Declaration of performance**  
**According to European Regulation 2011/305**

DOP N° : NO+58

**Product**

*Nordic-plus 58-54 (NO+58)*

Serial number : see identification plate supplied with device

Intended use heating with solid fuel

Fuel : wood logs with moisture content < 25%

**Manufacturer**

JIDE S.A.

[info@jide.be](mailto:info@jide.be)

Rue des Meuneries, 11

[www.jide.be](http://www.jide.be)

B-4650 HERVE

Tél. : 087 31 75 12

Belgique

**Système of AVCP**

ARGB - NB2013 has delivered the report 2016-0038 According to the European Regulation 2015-1185, base on the standard, EN 13229:2001

**Declared performance**

Declared performance		Declared Emission	
Puissance nominale	15 kW	Particules	37 mg/Nm <sup>3</sup>
Rendement	77,0 %	COG	43 mg/Nm <sup>3</sup>
Rendement saisonnier	66,3 %	CO	1238 mg/Nm <sup>3</sup>
IEE	101	Nox	53 mg/Nm <sup>3</sup>

Auxiliary electricity consumption

At nominal heat output	0,052 kW
at minimum heat output	0,037 kW
in standby mode	0,001 kW

Fire safety

Rear : 23 mm	Protected by heat insulator : Yes
Side : 23 mm	Protected by heat insulator : Yes
Top : 62 mm	Protected by heat insulator : Yes

The performance of the product identified above is in conformity with the set of declared performances. This declaration of performance is issued, in accordance with Regulation (EU) n° 305/2011, under the sole responsibility of the manufacturer identified.

In Herve, Monday 11 September 2023

Jean-philippe Couasnard

Delegated Administrator



**Declaration of performance**  
**According to European Regulation 2011/305**

DOP N° : NO+67

**Product**

*Nordic-plus 67-60 (NO+67)*

Serial number : see identification plate supplied with device

Intended use heating with solid fuel

Fuel : wood logs with moisture content < 25%

**Manufacturer**

JIDE S.A.

[info@jide.be](mailto:info@jide.be)

Rue des Meuneries, 11

[www.jide.be](http://www.jide.be)

B-4650 HERVE

Tél. : 087 31 75 12

Belgique

**Système of AVCP**

ARGB - NB2013 has delivered the report 2016-0038 According to the European Regulation 2015-1185, base on the standard, EN 13229:2001

**Declared performance**

Declared performance		Declared Emission	
Puissance nominale	15 kW	Particules	37 mg/Nm <sup>3</sup>
Rendement	77,0 %	COG	43 mg/Nm <sup>3</sup>
Rendement saisonnier	66,3 %	CO	1238 mg/Nm <sup>3</sup>
IEE	101	Nox	53 mg/Nm <sup>3</sup>

**Auxiliary electricity consumption**

At nominal heat output	0,052 kW
at minimum heat output	0,037 kW
in standby mode	0,001 kW

**Fire safety**

Rear : 23 mm	Protected by heat insulator : Yes
Side : 23 mm	Protected by heat insulator : Yes
Top : 62 mm	Protected by heat insulator : Yes

The performance of the product identified above is in conformity with the set of declared performances. This declaration of performance is issued, in accordance with Regulation (EU) n° 305/2011, under the sole responsibility of the manufacturer identified.

In Herve, Monday 11 September 2023

Jean-philippe Couasnard

Delegated Administrator



**Declaration of performance**  
**According to European Regulation 2011/305**

DOP N° : NO+77

**Product**

*Nordic-plus 77-60 (NO+77)*

Serial number : see identification plate supplied with device

Intended use heating with solid fuel

Fuel : wood logs with moisture content < 25%

**Manufacturer**

JIDE S.A.

[info@jide.be](mailto:info@jide.be)

Rue des Meuneries, 11

[www.jide.be](http://www.jide.be)

B-4650 HERVE

Tél. : 087 31 75 12

Belgique

**Système of AVCP**

ARGB - NB2013 has delivered the report 2016-0038 According to the European Regulation 2015-1185, base on the standard, EN 13229:2001

**Declared performance**

Declared performance		Declared Emission	
Puissance nominale	15 kW	Particules	37 mg/Nm <sup>3</sup>
Rendement	77,0 %	COG	43 mg/Nm <sup>3</sup>
Rendement saisonier	66,3 %	CO	1238 mg/Nm <sup>3</sup>
IEE	101	Nox	53 mg/Nm <sup>3</sup>

**Auxiliary electricity consumption**

At nominal heat output	0,052 kW
at minimum heat output	0,037 kW
in standby mode	0,001 kW

**Fire safety**

Rear : 23 mm	Protected by heat insulator : Yes
Side : 23 mm	Protected by heat insulator : Yes
Top : 62 mm	Protected by heat insulator : Yes

The performance of the product identified above is in conformity with the set of declared performances. This declaration of performance is issued, in accordance with Regulation (EU) n° 305/2011, under the sole responsibility of the manufacturer identified.

In Herve, Monday 11 September 2023

Jean-philippe Couasnard

Delegated Administrator



**Declaration of performance**  
**According to European Regulation 2011/305**

**DOP N° : NO+77 DF**

**Product**

*Nordic-plus 77 DF (NO+77 DF)*

Serial number : see identification plate supplied with device

Intended use heating with solid fuel

Fuel : wood logs with moisture content < 25%

**Manufacturer**

JIDE S.A.

[info@jide.be](mailto:info@jide.be)

Rue des Meuneries, 11

[www.jide.be](http://www.jide.be)

B-4650 HERVE

Tél. : 087 31 75 12

Belgique

**Système of AVCP**

ARGB - NB2013 has delivered the report 2016-0077 According to the European Regulation 2015-1185, base on the standard, EN 13229:2001

**Declared performance**

Declared performance		Declared Emission	
Puissance nominale	15 kW	Particules	37 mg/Nm <sup>3</sup>
Rendement	77,0 %	COG	120 mg/Nm <sup>3</sup>
Rendement saisonnier	66,3 %	CO	1238 mg/Nm <sup>3</sup>
IEE	101	Nox	34 mg/Nm <sup>3</sup>

**Auxiliary electricity consumption**

At nominal heat output	0,052 kW
at minimum heat output	0,037 kW
in standby mode	0,001 kW

**Fire safety**

Rear : 10 mm	Protected by heat insulator : Yes
Side : 10 mm	Protected by heat insulator : Yes
Top : 150 mm	Protected by heat insulator : No

The performance of the product identified above is in conformity with the set of declared performances. This declaration of performance is issued, in accordance with Regulation (EU) n° 305/2011, under the sole responsibility of the manufacturer identified.

In Herve, Monday 11 September 2023

Jean-philippe Couasnard

Delegated Administrator



**Declaration of performance**  
**According to European Regulation 2011/305**

DOP N° : NO+16-9

**Product**

*Nordic-plus 16-9 (NO+16-9)*

Serial number : see identification plate supplied with device

Intended use heating with solid fuel

Fuel : wood logs with moisture content < 25%

**Manufacturer**

JIDE S.A.

[info@jide.be](mailto:info@jide.be)

Rue des Meuneries, 11

[www.jide.be](http://www.jide.be)

B-4650 HERVE

Tél. : 087 31 75 12

Belgique

**Système of AVCP**

ARGB - NB2013 has delivered the report 2016-0038 According to the European Regulation 2015-1185, base on the standard, EN 13229:2001

**Declared performance**

Declared performance		Declared Emission	
Puissance nominale	15 kW	Particules	37 mg/Nm <sup>3</sup>
Rendement	77,0 %	COG	43 mg/Nm <sup>3</sup>
Rendement saisonnier	66,3 %	CO	1238 mg/Nm <sup>3</sup>
IEE	101	Nox	53 mg/Nm <sup>3</sup>

Auxiliary electricity consumption

At nominal heat output	0,052 kW
at minimum heat output	0,037 kW
in standby mode	0,001 kW

Fire safety

Rear : 23 mm	Protected by heat insulator : Yes
Side : 23 mm	Protected by heat insulator : Yes
Top : 62 mm	Protected by heat insulator : Yes

The performance of the product identified above is in conformity with the set of declared performances. This declaration of performance is issued, in accordance with Regulation (EU) n° 305/2011, under the sole responsibility of the manufacturer identified.

In Herve, Monday 11 September 2023

Jean-philippe Couasnard

Delegated Administrator



Declaration of performance  
According to European Regulation 2011/305

DOP N° : NO+16-9 DF

**Product**

*Nordic-plus 16-9 DF (NO+16-9 DF)*

Serial number : see identification plate supplied with device

Intended use heating with solid fuel

Fuel : wood logs with moisture content < 25%

**Manufacturer**

JIDE S.A.

Rue des Meuneries, 11

B-4650 HERVE

Belgique

[info@jide.be](mailto:info@jide.be)

[www.jide.be](http://www.jide.be)

Tél. : 087 31 75 12

**Système of AVCP**

ARGB - NB2013 has delivered the report 2016-0077 According to the European Regulation 2015-1185, base on the standard, EN 13229:2001

**Declared performance**

Declared performance		Declared Emission	
Puissance nominale	15 kW	Particules	37 mg/Nm <sup>3</sup>
Rendement	77,0 %	COG	120 mg/Nm <sup>3</sup>
Rendement saisonier	66,3 %	CO	1238 mg/Nm <sup>3</sup>
IEE	101	Nox	34 mg/Nm <sup>3</sup>

**Auxiliary electricity consumption**

At nominal heat output	0,052 kW
at minimum heat output	0,037 kW
in standby mode	0,001 kW

**Fire safety**

Rear : 10 mm	Protected by heat insulator : Yes
Side : 10 mm	Protected by heat insulator : Yes
Top : 150 mm	Protected by heat insulator : No

The performance of the product identified above is in conformity with the set of declared performances. This declaration of performance is issued, in accordance with Regulation (EU) n° 305/2011, under the sole responsibility of the manufacturer identified.

In Herve, Monday 11 September 2023


Jean-philippe Couasnard

Delegated Administrator







# TECHNICAL DOCUMENT

Technical parameters for solid fuel local space heaters (RUE 1185/2015) (RUE 1186/2015)												
Model identifier(s) :		Nordic-plus 58-54 (NO+58)										
Indirect heating functionality		No										
Direct heat output		14,5 kW										
Indirect heat output		0 kW										
Flue temperature		286,0 °C										
Mass Flow		12,45 g/s										
Energy efficiency index (EEI) :		101										
Fuel	Preferred fuel :	Other suitable fuel	µs (x%)	Space heating emissions at nominal heat output (*)				Space heating emissions at minimum heat output (*)				
				PM	OGC	CO	Nox	PM	OGC	CO	Nox	
				(x) mg/Nm <sup>3</sup> (13% O <sub>2</sub> )				(x) mg/Nm <sup>3</sup> (13% O <sub>2</sub> )				
Wood logs with moisture content ≤ 25 %	Yes		66,3	37	43	1238	53					
Compressed wood with moisture content < 12 %		No										
Other woody biomass		No										
Non-woody biomass		No										
Anthracite and dry steam coal		No										
Hard coke		No										
Low temperature coke		No										
Bituminous coal		No										
Lignite briquettes		No										
Peat briquettes		No										
Blended fossil fuel briquettes		No										
Other fossil fuel		No										
Blended biomass and fossil fuel briquettes		No										
Other blend of biomass and solid fuel		No										
Characteristics when operating with the preferred fuel only												
Item	Symbol	Value	Unit	Item	Symbol	Value	Unit					
Heat output				Useful efficiency (NCV as received)								
Nominal heat output	P <sub>nom</sub>	14,5	kW	Useful efficiency at nominal heat output	η <sub>tu,nom</sub>	77,0	%					
Minimum heat output (indicative)	P <sub>min</sub>	n.d.	kW	Useful efficiency at minimum heat output (indicative)	η <sub>tu,min</sub>	n.d.	%					
Auxiliary electricity consumption				Type of heat output/room temperature control								
At nominal heat output	e <sub>l,max</sub>	0,052	kW	single stage heat output, no room temperature control				No				
At minimum heat output	e <sub>l,min</sub>	0,037	kW	two or more manual stages, no room temperature control				Yes				
In standby mode	e <sub>l,db</sub>	0,001	kW	with mechanic thermostat room temperature control				No				
Permanent pilot flame power requirement				with electronic room temperature control				No				
Pilot flame power requirement	P <sub>pilot</sub>	n.d.	kW	with electronic room temperature control plus day timer				No				
Contact Information				Other control options								
JIDE S.A. Rue des Meuneries, 11 4650 HERVE Belgique Jean-Philippe Couasnard Delegated Administrator				087 31 75 12				room temperature control, with presence detection				No
				<a href="mailto:info@jide.be">info@jide.be</a> <a href="http://www.jide.be">www.jide.be</a>				room temperature control, with open window detection				No
								with distance control option				No


(\*) PM = particulate matter, OGCs = organic gaseous compounds, CO = carbon monoxide, NOx = nitrogen oxides

Technical parameters for solid fuel local space heaters (RUE 1185/2015) (RUE 1186/2015)											
Model identifier(s) :		Nordic-plus 67-60 (NO+67)									
Indirect heating functionality		No									
Direct heat output		14,5 kW									
Indirect heat output		0 kW									
Flue temperature		286,0 °C									
Mass Flow		12,45 g/s									
Energy efficiency index (EEI) :		101									
Fuel	Preferred fuel :	Other suitable fuel	µs (x%)	Space heating emissions at nominal heat output (*)				Space heating emissions at minimum heat output (*)			
				PM	OGC	CO	Nox	PM	OGC	CO	Nox
				(x) mg/Nm <sup>3</sup> (13% O <sub>2</sub> )				(x) mg/Nm <sup>3</sup> (13% O <sub>2</sub> )			
Wood logs with moisture content ≤ 25 %	Yes		66,3	37	43	1238	53				
Compressed wood with moisture content < 12 %		No									
Other woody biomass		No									
Non-woody biomass		No									
Anthracite and dry steam coal		No									
Hard coke		No									
Low temperature coke		No									
Bituminous coal		No									
Lignite briquettes		No									
Peat briquettes		No									
Blended fossil fuel briquettes		No									
Other fossil fuel		No									
Blended biomass and fossil fuel briquettes		No									
Other blend of biomass and solid fuel		No									
Characteristics when operating with the preferred fuel only											
Item	Symbol	Value	Unit	Item	Symbol	Value	Unit				
Heat output				Useful efficiency (NCV as received)							
Nominal heat output	P <sub>nom</sub>	14,5	kW	Useful efficiency at nominal heat output	η <sub>th, nom</sub>	77,0	%				
Minimum heat output (indicative)	P <sub>min</sub>	n.d.	kW	Useful efficiency at minimum heat output (indicative)	η <sub>th, min</sub>	n.d.	%				
Auxiliary electricity consumption				Type of heat output/room temperature control							
At nominal heat output	e <sub>l, max</sub>	0,052	kW	single stage heat output, no room temperature control				No			
At minimum heat output	e <sub>l, min</sub>	0,037	kW	two or more manual stages, no room temperature control				Yes			
In standby mode	e <sub>l, stb</sub>	0,001	kW	with mechanic thermostat room temperature control				No			
Permanent pilot flame power requirement				with electronic room temperature control			No				
Pilot flame power requirement	P <sub>pilot</sub>	n.d.	kW	with electronic room temperature control plus day timer			No				
Contact Information				Other control options							
JIDE S.A. Rue des Meuneries, 11 4650 HERVE Belgique Jean-Philippe Couasnard Delegated Administrator				087 31 75 12				room temperature control, with presence detection			No
				<a href="mailto:info@jide.be">info@jide.be</a> <a href="http://www.jide.be">www.jide.be</a>				room temperature control, with open window detection			No
								with distance control option			No


(\*) PM = particulate matter, OGCs = organic gaseous compounds, CO = carbon monoxide, NOx = nitrogen oxides

Technical parameters for solid fuel local space heaters (RUE 1185/2015) (RUE 1186/2015)											
Model identifier(s) :		Nordic-plus 77-60 (NO+77)									
Indirect heating functionality		No									
Direct heat output		14,5 kW									
Indirect heat output		0 kW									
Flue temperature		286,0 °C									
Mass Flow		12,45 g/s									
Energy efficiency index (EEI) :		101									
Fuel	Preferred fuel :	Other suitable fuel	µs (x%)	Space heating emissions at nominal heat output (*)				Space heating emissions at minimum heat output (*)			
				PM	OGC	CO	Nox	PM	OGC	CO	Nox
				(x) mg/Nm <sup>3</sup> (13% O <sub>2</sub> )				(x) mg/Nm <sup>3</sup> (13% O <sub>2</sub> )			
Wood logs with moisture content ≤ 25 %	Yes		66,3	37	43	1238	53				
Compressed wood with moisture content < 12 %		No									
Other woody biomass		No									
Non-woody biomass		No									
Anthracite and dry steam coal		No									
Hard coke		No									
Low temperature coke		No									
Bituminous coal		No									
Lignite briquettes		No									
Peat briquettes		No									
Blended fossil fuel briquettes		No									
Other fossil fuel		No									
Blended biomass and fossil fuel briquettes		No									
Other blend of biomass and solid fuel		No									
Characteristics when operating with the preferred fuel only											
Item	Symbol	Value	Unit	Item	Symbol	Value	Unit				
Heat output				Useful efficiency (NCV as received)							
Nominal heat output	P <sub>nom</sub>	14,5	kW	Useful efficiency at nominal heat output	η <sub>th, nom</sub>	77,0	%				
Minimum heat output (indicative)	P <sub>min</sub>	n.d.	kW	Useful efficiency at minimum heat output (indicative)	η <sub>th, min</sub>	n.d.	%				
Auxiliary electricity consumption				Type of heat output/room temperature control							
At nominal heat output	e <sub>l, max</sub>	0,052	kW	single stage heat output, no room temperature control				No			
At minimum heat output	e <sub>l, min</sub>	0,037	kW	two or more manual stages, no room temperature control				Yes			
In standby mode	e <sub>l, stb</sub>	0,001	kW	with mechanic thermostat room temperature control				No			
Permanent pilot flame power requirement				with electronic room temperature control				No			
Pilot flame power requirement	P <sub>pilot</sub>	n.d.	kW	with electronic room temperature control plus day timer				No			
Contact Information				Other control options							
JIDE S.A. Rue des Meuneries, 11 4650 HERVE Belgique		087 31 75 12 <a href="mailto:info@jide.be">info@jide.be</a> <a href="http://www.jide.be">www.jide.be</a>		room temperature control, with presence detection				No			
Jean-Philippe Couasnard Delegated Administrator				room temperature control, with open window detection				No			
				with distance control option				No			


(\*) PM = particulate matter, OGCs = organic gaseous compounds, CO = carbon monoxide, NOx = nitrogen oxides

Technical parameters for solid fuel local space heaters (RUE 1185/2015) (RUE 1186/2015)											
Model identifier(s) :		Nordic-plus 77 DF (NO+77 DF)									
Indirect heating functionality		No									
Direct heat output		15,3 kW									
Indirect heat output		0 kW									
Flue temperature		277,0 °C									
Mass Flow		13,48 g/s									
Energy efficiency index (EEI) :		101									
Fuel	Preferred fuel :	Other suitable fuel	µs (x%)	Space heating emissions at nominal heat output (*)				Space heating emissions at minimum heat output (*)			
				PM	OGC	CO	Nox	PM	OGC	CO	Nox
				(x) mg/Nm <sup>3</sup> (13% O <sub>2</sub> )				(x) mg/Nm <sup>3</sup> (13% O <sub>2</sub> )			
Wood logs with moisture content ≤ 25 %	Yes		66,3	37	120	1238	34				
Compressed wood with moisture content < 12 %		No									
Other woody biomass		No									
Non-woody biomass		No									
Anthracite and dry steam coal		No									
Hard coke		No									
Low temperature coke		No									
Bituminous coal		No									
Lignite briquettes		No									
Peat briquettes		No									
Blended fossil fuel briquettes		No									
Other fossil fuel		No									
Blended biomass and fossil fuel briquettes		No									
Other blend of biomass and solid fuel		No									
Characteristics when operating with the preferred fuel only											
Item	Symbol	Value	Unit	Item	Symbol	Value	Unit				
Heat output				Useful efficiency (NCV as received)							
Nominal heat output	P <sub>nom</sub>	15,3	kW	Useful efficiency at nominal heat output	η <sub>th, nom</sub>	77,0	%				
Minimum heat output (indicative)	P <sub>min</sub>	n.d.	kW	Useful efficiency at minimum heat output (indicative)	η <sub>th, min</sub>	n.d.	%				
Auxiliary electricity consumption				Type of heat output/room temperature control							
At nominal heat output	e <sub>l, max</sub>	0,052	kW	single stage heat output, no room temperature control				No			
At minimum heat output	e <sub>l, min</sub>	0,037	kW	two or more manual stages, no room temperature control				Yes			
In standby mode	e <sub>l, sb</sub>	0,001	kW	with mechanic thermostat room temperature control				No			
Permanent pilot flame power requirement				with electronic room temperature control				No			
Pilot flame power requirement	P <sub>pict</sub>	n.d.	kW	with electronic room temperature control plus day timer				No			
Contact Information				Other control options							
JIDE S.A. Rue des Meuneries, 11 4650 HERVE Belgique Jean-Philippe Couasnard Delegated Administrator		087 31 75 12 <a href="mailto:info@jide.be">info@jide.be</a> <a href="http://www.jide.be">www.jide.be</a> 		room temperature control, with presence detection				No			
				room temperature control, with open window detection				No			
				with distance control option				No			

(\*) PM = particulate matter, OGCs = organic gaseous compounds, CO = carbon monoxide, NOx = nitrogen oxides

Technical parameters for solid fuel local space heaters (RUE 1185/2015) (RUE 1186/2015)											
Model identifier(s) :		Nordic-plus 16-9 (NO+16-9)									
Indirect heating functionality		No									
Direct heat output		14,5 kW									
Indirect heat output		0 kW									
Flue temperature		286,0 °C									
Mass Flow		12,45 g/s									
Energy efficiency index (EEI) :		101									
Fuel	Preferred fuel :	Other suitable fuel	µs (x%)	Space heating emissions at nominal heat output (*)				Space heating emissions at minimum heat output (*)			
				PM	OGC	CO	Nox	PM	OGC	CO	Nox
				(x) mg/Nm <sup>3</sup> (13% O <sub>2</sub> )				(x) mg/Nm <sup>3</sup> (13% O <sub>2</sub> )			
Wood logs with moisture content ≤ 25 %	Yes		66,3	37	43	1238	53				
Compressed wood with moisture content < 12 %		No									
Other woody biomass		No									
Non-woody biomass		No									
Anthracite and dry steam coal		No									
Hard coke		No									
Low temperature coke		No									
Bituminous coal		No									
Lignite briquettes		No									
Peat briquettes		No									
Blended fossil fuel briquettes		No									
Other fossil fuel		No									
Blended biomass and fossil fuel briquettes		No									
Other blend of biomass and solid fuel		No									
Characteristics when operating with the preferred fuel only											
Item	Symbol	Value	Unit	Item	Symbol	Value	Unit				
Heat output				Useful efficiency (NCV as received)							
Nominal heat output	P <sub>nom</sub>	14,5	kW	Useful efficiency at nominal heat output	η <sub>th, nom</sub>	77,0	%				
Minimum heat output (indicative)	P <sub>min</sub>	n.d.	kW	Useful efficiency at minimum heat output (indicative)	η <sub>th, min</sub>	n.d.	%				
Auxiliary electricity consumption				Type of heat output/room temperature control							
At nominal heat output	e <sub>l, max</sub>	0,052	kW	single stage heat output, no room temperature control				No			
At minimum heat output	e <sub>l, min</sub>	0,037	kW	two or more manual stages, no room temperature control				Yes			
In standby mode	e <sub>l, stb</sub>	0,001	kW	with mechanic thermostat room temperature control				No			
Permanent pilot flame power requirement				with electronic room temperature control				No			
Pilot flame power requirement	P <sub>pilot</sub>	n.d.	kW	with electronic room temperature control plus day timer				No			
Contact Information				Other control options							
JIDE S.A. Rue des Meuneries, 11 4650 HERVE Belgique Jean-Philippe Couasnard Delegated Administrator		087 31 75 12 <a href="mailto:info@jide.be">info@jide.be</a> <a href="http://www.jide.be">www.jide.be</a> 		room temperature control, with presence detection				No			
				room temperature control, with open window detection				No			
				with distance control option				No			

(\*) PM = particulate matter, OGCs = organic gaseous compounds, CO = carbon monoxide, NOx = nitrogen oxides

Technical parameters for solid fuel local space heaters (RUE 1185/2015) (RUE 1186/2015)											
Model identifier(s) :		Nordic-plus 16-9 DF (NO+16-9 DF)									
Indirect heating functionality		No									
Direct heat output		15,3 kW									
Indirect heat output		0 kW									
Flue temperature		277,0 °C									
Mass Flow		13,48 g/s									
Energy efficiency index (EEI) :		101									
Fuel	Preferred fuel :	Other suitable fuel	µs (x%)	Space heating emissions at nominal heat output (*)				Space heating emissions at minimum heat output (*)			
				PM	OGC	CO	Nox	PM	OGC	CO	Nox
				(x) mg/Nm <sup>3</sup> (13% O <sub>2</sub> )				(x) mg/Nm <sup>3</sup> (13% O <sub>2</sub> )			
Wood logs with moisture content ≤ 25 %	Yes		66,3	37	120	1238	34				
Compressed wood with moisture content < 12 %		No									
Other woody biomass		No									
Non-woody biomass		No									
Anthracite and dry steam coal		No									
Hard coke		No									
Low temperature coke		No									
Bituminous coal		No									
Lignite briquettes		No									
Peat briquettes		No									
Blended fossil fuel briquettes		No									
Other fossil fuel		No									
Blended biomass and fossil fuel briquettes		No									
Other blend of biomass and solid fuel		No									
Characteristics when operating with the preferred fuel only											
Item	Symbol	Value	Unit	Item	Symbol	Value	Unit				
Heat output				Useful efficiency (NCV as received)							
Nominal heat output	P <sub>nom</sub>	15,3	kW	Useful efficiency at nominal heat output	η <sub>th, nom</sub>	77,0	%				
Minimum heat output (indicative)	P <sub>min</sub>	n.d.	kW	Useful efficiency at minimum heat output (indicative)	η <sub>th, min</sub>	n.d.	%				
Auxiliary electricity consumption				Type of heat output/room temperature control							
At nominal heat output	e <sub>l, max</sub>	0,052	kW	single stage heat output, no room temperature control				No			
At minimum heat output	e <sub>l, min</sub>	0,037	kW	two or more manual stages, no room temperature control				Yes			
In standby mode	e <sub>l, stb</sub>	0,001	kW	with mechanic thermostat room temperature control				No			
Permanent pilot flame power requirement				with electronic room temperature control				No			
Pilot flame power requirement	P <sub>pilot</sub>	n.d.	kW	with electronic room temperature control plus day timer				No			
Contact Information				Other control options							
JIDE S.A. Rue des Meuneries, 11 4650 HERVE Belgique Jean-Philippe Couasnard Delegated Administrator		087 31 75 12 <a href="mailto:info@jide.be">info@jide.be</a> <a href="http://www.jide.be">www.jide.be</a> 		room temperature control, with presence detection				No			
				room temperature control, with open window detection				No			
				with distance control option				No			

(\*) PM = particulate matter, OGCs = organic gaseous compounds, CO = carbon monoxide, NOx = nitrogen oxides

# WARRANTY AGREEMENT

The warranty given hereinafter is only valid if the appliance is installed professionally and used according to the recommendations stipulated in this user and installation notice.

The duration of the warranty is five years, starting from the date of delivery by the installer or dealer, for the following parts: the combustion chamber body of the appliance and the external trim.

## **EXTENDED WARRANTY**

Thank you for your confidence in our products and your interest in the extended warranty:

### **2-year warranty extension**

The 2-year guarantee extension, in addition to the basic guarantee, applies only to the body of the fireplace (called the heating element).

### **Terms and conditions of the extended warranty :**

1. Buy your fireplace from one of our approved dealers (list available on our website [www.jide.be](http://www.jide.be))
2. Complete the online form at [www.jide.be](http://www.jide.be) , extension warranty in the footer or Service-Warranty below within 30 days of the date of the balance invoice .
3. You will receive an initial confirmation e-mail indicating that your warranty extension request has been processed([info@jide.be](mailto:info@jide.be)).
4. You will then receive a second e-mail confirming the validity of your warranty extension([info@jide.be](mailto:info@jide.be)).
5. If you have any problems with your fireplace, contact your retailer. You will need to show them the extended warranty confirmation e-mail for the commercial warranty to become effective.

The warranty is limited to two years for the following parts: the fans, the airstat and the speed controller.

The defective material will be exchanged after its return.

The following are excluded from the warranty:

- Internal wear parts in contact with the flames and embers;
- The vermiculite panels;
- The joints of the door and ashtray;
- The window, liable to undergo shocks or rough handling;
- Normal wear and tear and lack of maintenance;
- Damage resulting from an installation defect and abnormal draft of the chimney (maximum 20 Pa);
- Damage due to non-compliant repairs or modification of the original condition of the fireplace or its accessories;
- Losses or malfunctions due to a lack of monitoring, improper use of the appliance (overheating) or poor usage, in particular:
  - Mismatch between the nominal power of the fireplace and the necessary calorific supply;
  - Poor choice of fuels;
  - Overload of the fireplace with wood with respect to the permitted limits;
  - Intentional and permanent interruption of the ventilation;
  - Usage with the door of the ashtray open.



By agreement, the costs of travel, transport, labour, packaging and the consequences of the immobilisation of the appliance resulting from warranty operations are to the charge the customer.

The warranty is only provided through the dealer-agent on presentation of the purchase invoice.

JIDÉ S.A. reserves the right to modify its products and brochures at any time at its sole discretion.

---

JIDÉ model:           NORDIC PLUS

Seller's stamp

Stick your identification plate here

A envoyer par mail à [info@bgfires.com](mailto:info@bgfires.com). Vous pouvez trouver la carte de garantie sur notre site internet, rubrique Garantie

Per mail sturen naar [info@bgfires.com](mailto:info@bgfires.com). U vindt de waarborg kaart op onze website, onder Garantie

Send by mail to [info@bgfires.com](mailto:info@bgfires.com). You can find the warranty card on our website, warranty section

Revendeur / Verkoper / Reseller:

Nom Prénom/Naam Voornaam/Name First name:

Adr.

Pays / Land / Country

CP/PC

Ville / Plaats / City

Tel

Mail

Acheteur / Consument / Buyer

Nom Prénom / Naam Voornaam / Name First name:

Adr.

Pays / Land / Country

CP/PC

Ville / Plaats / City

Tel

Mail

J'ai lu le mode d'emploi , signature du client :

*Ik heb de handleiding gelezen, handtekening van de klant :*

I read the Users' manual, signature of the client:

Désignation du produit / Productbenaming / Product designation :

Numéro de tracabilité / Tracking nummer / Traceability number :

Date de facture / Faktuur datum / Date Invoice :

N'HESITEZ PAS A PARTAGER VOTRE EXPERIENCE DU PRODUIT AINSI QUE VOS AVIS EN SCANNANT LE QR CODE

DEEL UW POSITIEVE ERVARING ENRECENCIE DOOR DEZE QR CODE TE SCANNEN

SHARE YOUR POSITIVE EXPERIENCE AND REVIEW BY SCANNING THIS QR CODE







JIDÉ, innovation and efficiency, that's us

Heat and savings are for you

