

VENTIL-ART 58

VENTIL-ART 58 WOODBOX

(VT58-V3)



A

Ventil-Art - Ecological combustion - Sealed device

VT58V3-AC-BN / VT58V3-AC-DM / VT58V3-AC-VR	Steel door
VTWB-58V3-AC-BN / VTWB-58V3-AC-DM / VTWB-58V3-AC-VR	Steel door Woodbox
VT58V3-NL-BN / VT58V3-NL-DM / VT58V3-NL-VR	New look door
VTWB-58V3-NL-BN / VTWB-58V3-NL-DM / VTWB-58V3-NL-VR	New look door Woodbox

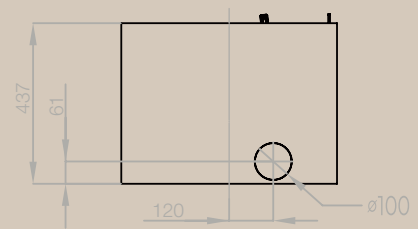
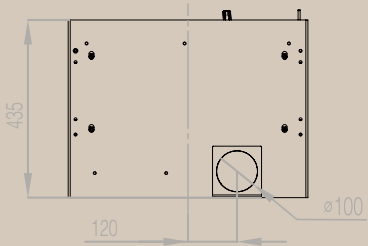
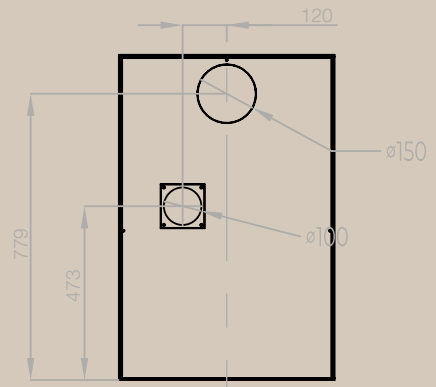
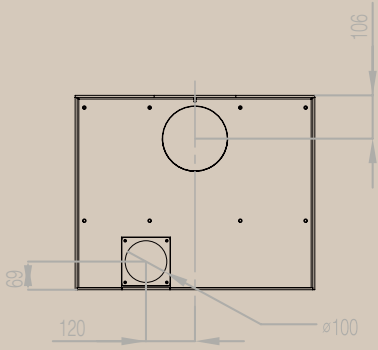
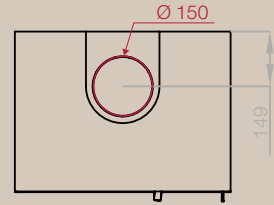
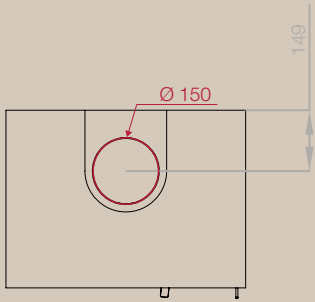
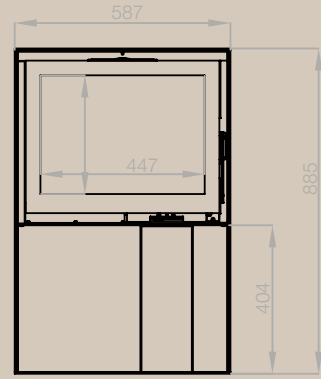
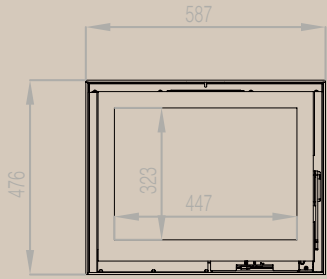
kW	Rendement %	CO (mg/Nm ³)	COG (mg/Nm ³)	Poussière (mg/Nm ³)	NOX (mg/Nm ³)	e _{l_max} (kw)	e _{l_min} (kw)	e _{l_sb} (kw)
6-8	77	1250	117	39	34	0	0	0

Options

Reserve door fitting
Interior : vermiculite (VE) <u>or</u> black concrete (BN) <u>or</u> metal decoration (DM)
Suspension kit

Caractéristiques

Manual air inlet adjustment - external air intake Ø 100 mm possible - vermiculite baffle - ember stop - with ventilation - vermiculite interior - Smoke outlet top or rear
 Real view of fire (mm) - 447 x 323



NOTES:
