

LOFT 90-51



Loft - Ecological combustion - Sealed device

	Réf	Ventil.	kW	
Loft 90/51 - new look door - vermiculite - 90x51x50	LF90/51	without	9 - 13	A+

Real view of fire - L 799 mm - H 395 mm

Option

Kit ventilation 1 x 750 m³/h with speed controller and airstat

Kit ventilation 2 x 140 m³/h with speed controller and airstat

Speed controller with remote control

Speed controller with thermostat(RT012)

Interior vermiculite painted black

2 small tubes of hot air Ø 150 mm

Stop air (only in combination with hot air tubes)

Reverse door fitting

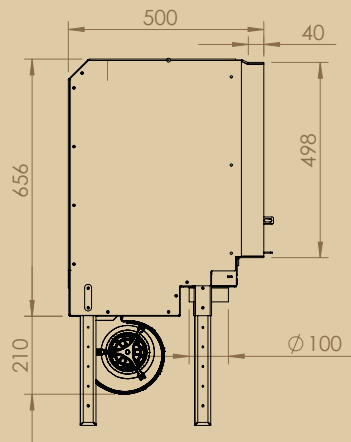
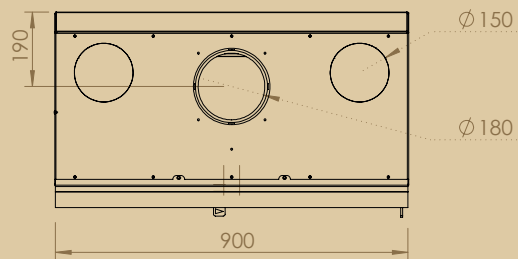
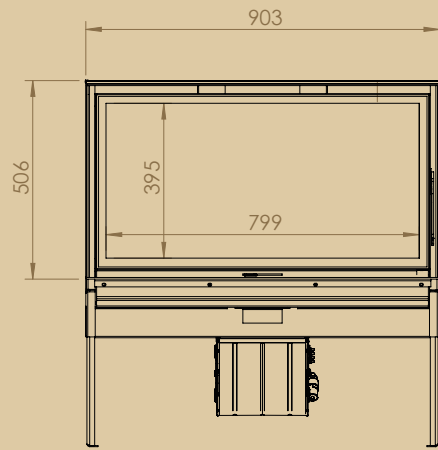
Finishing frame in 1 piece

4-sided frame- 40 mm flat 3 mm

Included

New look door - manual combustion air regulation - external air intake Ø 100 mm - double baffle (vermiculite + inox one of wich is adjustable in depth) - without ventilation - interior vermiculite - 4 adjustable feet - stainless steel Ø 180 mm nozzle for smoke outlet colour antracite - WITH FINISHING FRAME ÉTIRÉ 4 MM WELDED ON THE DEVICE





NOTES :

.....
.....
.....
.....
.....
.....
.....
.....
.....