

# MODUL-ART WOODBOX 16/9



Modul-Art Ecological combustion - Sealed device	Steel door (MDWB-16/9-Ac)
	New Look door (MDWB-16/9-NL)

Kw	efficiency %	CO (mg/Nm <sup>3</sup> )	COG (mg/Nm <sup>3</sup> )	Dust (mg/Nm <sup>3</sup> )	NOX (mg/Nm <sup>3</sup> )	el_max (kw)	el_min (kw)	el_sb (kw)
12	77	900	59	22	57	0,000	0,000	0,000

## Options

Extra charge for channel cover woodbox

Extra charge for black painted vermic. interior

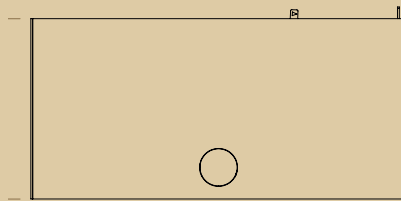
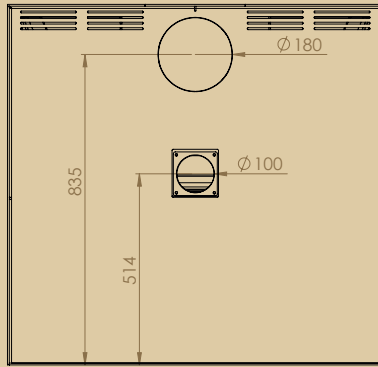
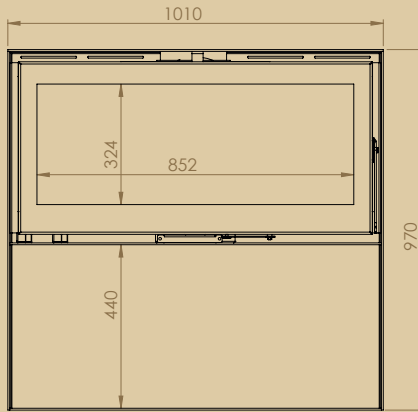
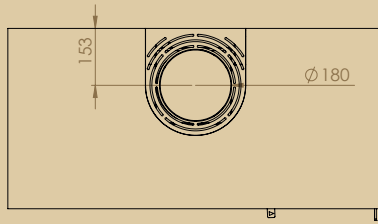
## Included

Manual adjustment - external air intake Ø 100 mm - baffle(s) - stop embers - natural convection - vermiculite interior - colour antracite - choice of male back or top smoke outlet - woodbox under the stove

External dimensions (mm) : 1010 x 970 x 485

Real view of fire (mm) - 852 x 324





NOTES :

A series of horizontal dotted lines provided for writing notes.